

Installation and Assembly - Universal Desktop Mount

IMPORTANT! Read entire instruction sheet before you start installation and assembly.

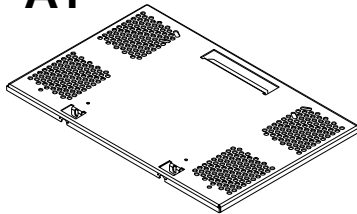
Models:
LDS 1920U, LDS 1920U-S,
LDS 2527U, LDS 2527U-S,
LDS 32U, LDS 32U-S

Parts List

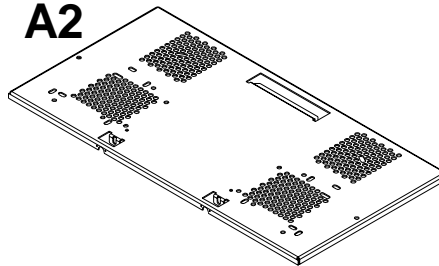
Note: Some parts may appear slightly different than illustrated.

DESCRIPTION	QTY.	LDS 1920U	LDS 1920U-S	LDS 2527U	LDS 2527U-S	LDS 32U	LDS 32U-S
A1 tray 19" - 20"	1	090-1243	090-4243				
A2 tray 25" - 27"				090-1244	090-4244		
A3 tray 32"						090-1245	090-4245
B #10 x 3/4 particle board screw	8	500-9006	500-9006	500-9006	500-9006	500-9006	500-9006
C penta-pin tool	1	520-9249	520-9249	520-9249	520-9249	520-9249	520-9249
D M5 x .8 x 10 mm phillips screw	2	520-9250	520-9250	520-9250	520-9250	520-9250	520-9250
E Peerless cover plate	2	590-1046	590-4046	590-1046	590-4046	590-1046	590-4046
F 1/4-20 x 1 3/4 bolt	1	520-9204	520-9204	520-9204	520-9204	520-9204	520-9204
G spacer	3	540-9455	540-9455	540-9455	540-9455	540-9455	540-9455
H M5 x .8 x 10 mm penta-pin™ screw	2	505-9010	500-2001	505-9010	500-2001	505-9010	500-2001
I 1/4-20 3 prong T-nut	1	530-9301	530-9301	530-9301	530-9301	530-9301	530-9301
J #1 x 1-1/4 phillips pan wood screw	1	510-9157	510-9157	510-9157	510-9157	510-9157	510-9157
K swivel base	1	090-0246	090-0247	090-0246	090-0247	090-0246	090-0247
L adhesive bumper strip	1	570-1029	570-1029	570-1029	570-1029	570-1029	570-1029

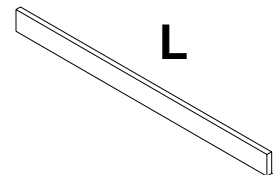
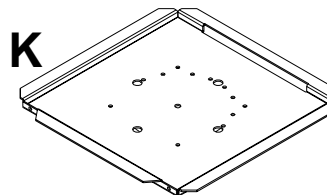
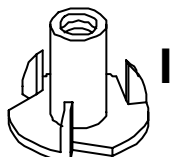
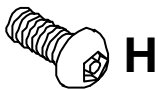
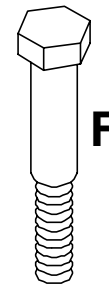
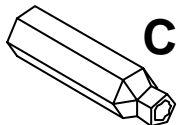
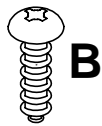
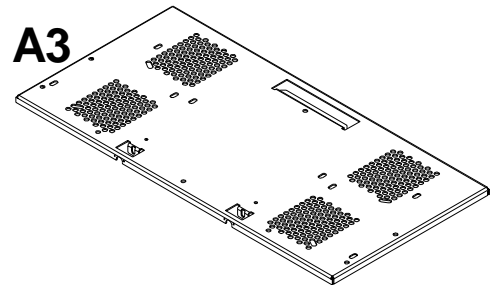
A1



A2



A3



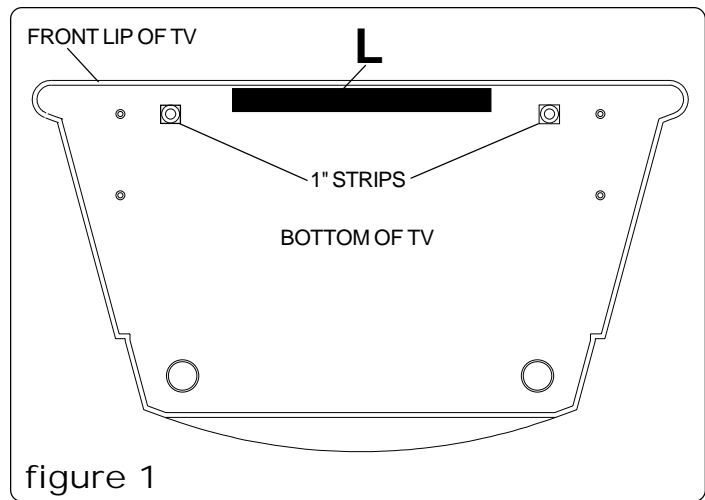
Before you start make sure all parts listed are included with your product.

⚠ WARNING

- Do not lift more weight than you can handle. Use additional manpower or mechanical lifting equipment to safely lift and attach the television!

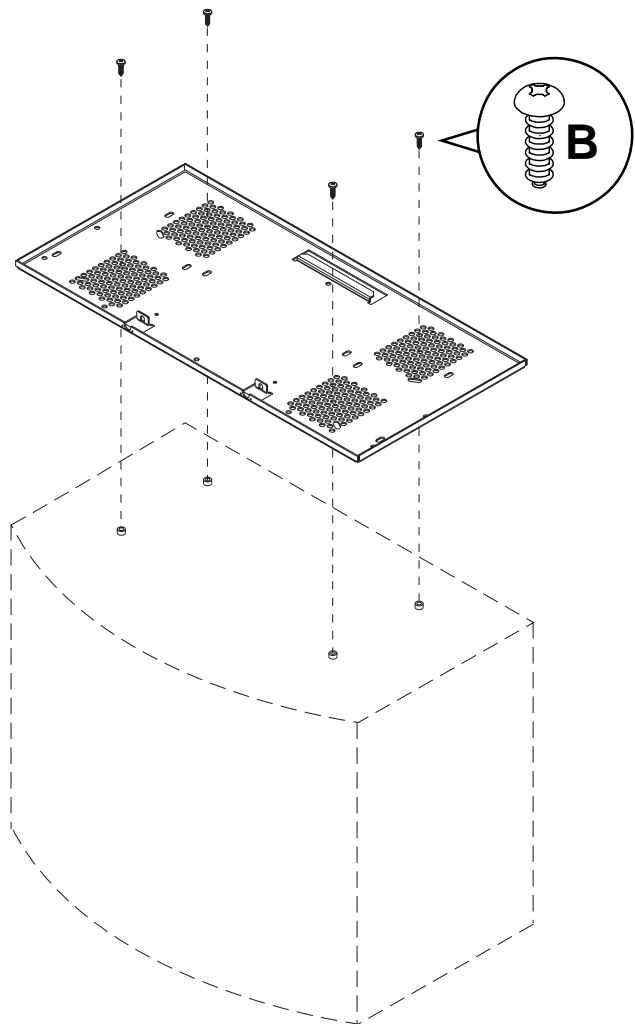
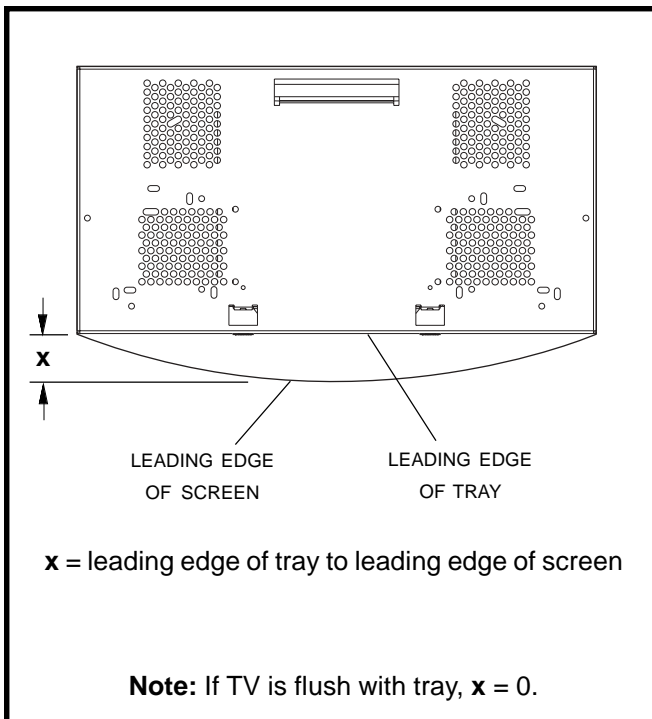
1 For flat screen TVs, peel paper from adhesive bumper strip (L) and place flush to the front lip on bottom of TV.

For Zenith H32F56, cut 1" strips off each side of adhesive bumper strip (L). Peel paper from longer strip and place flush to the front lip on bottom of TV as shown in figure 1. Also, peel paper from the 1" strips and place on front feet of TV as indicated.



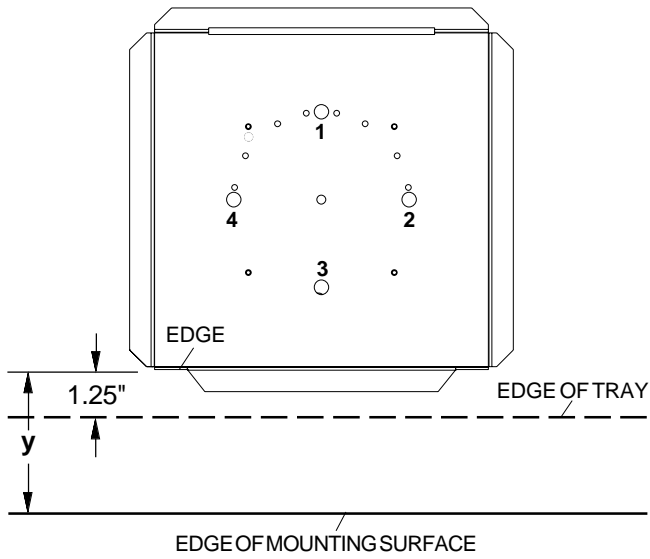
1-1 Turn TV upside down and determine mounting locations. For TV's with a flat front, make sure that leading edge of screen is flush with leading edge of tray. For TV's with a curved front, mount screen as close to the front of leading edge of tray with tray still being hidden. Attach tray to TV by installing four screws (B) into TV mounting bosses.

TOP VIEW



There are two methods of installation. Follow steps 2 and 4 for installation using four 3/4" particle board screws or steps 3 and 5 to use one 1-3/4" bolt.

2 Determine position on desktop to secure mount. See Note below. The leading edge of TV should be flush with edge of mounting surface once TV is installed. Once position is determined, align .281" diameter holes in swivel base (marked 1-4 below) with holes in race. Mark holes and drill 1/8" (3 mm) diameter pilot holes 3/4" (19 mm) into mounting surface.

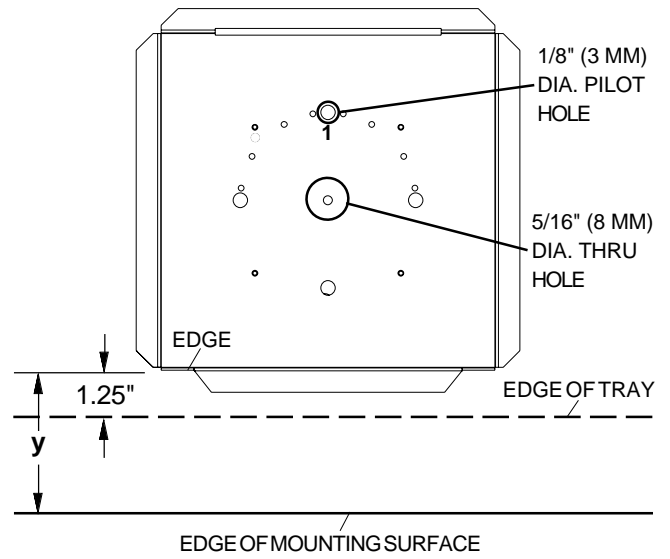


Note: To figure out where to mount swivel base so TV is flush with the edge of the mounting surface, use the following formula:

$$y = x + 1.25"$$

Use distance **x** from step 1 on previous page.

3 For mounting to surface using one 1-3/4" bolt, determine position on desktop to secure mount. See Note below. The leading edge of TV should be flush with edge of mounting surface once TV is installed. Mark holes and drill one 5/16" (8 mm) diameter thru hole and one 1/8" (3 mm) diameter pilot hole 3/4" (19 mm) into mounting surface.



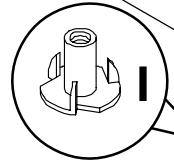
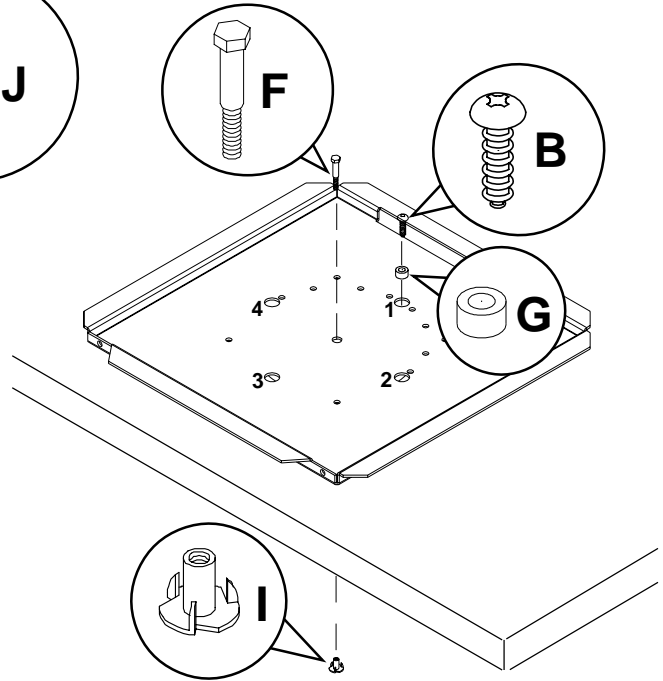
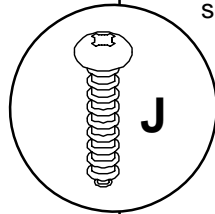
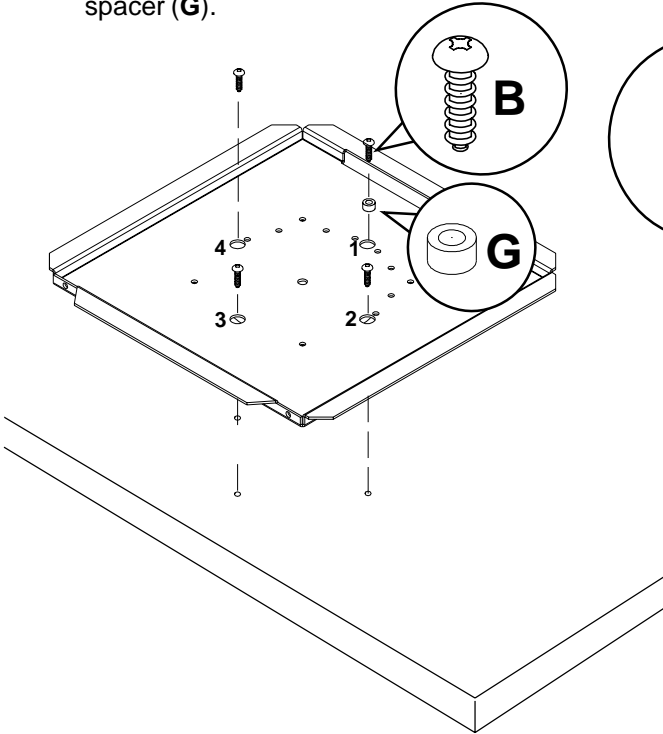
Note: To figure out where to mount swivel base so TV is flush with the edge of the mounting surface, use the following formula:

$$y = x + 1.25"$$

Use distance **x** from step 1 on previous page.

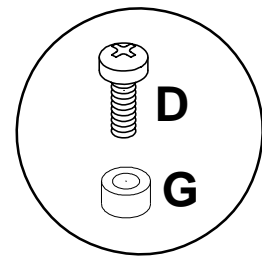
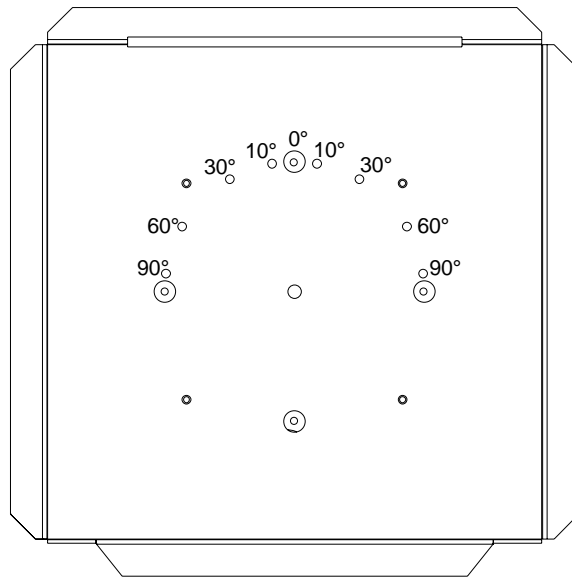
4 Align holes in race with holes 1 through 4 of swivel base. Once position is determined, attach swivel base to surface using four screws (**B**) into positions 1 through 4. If swivel restriction is needed, use one spacer (**G**) and screw (**B**) in position 1 and then refer to step 6. If you would like to prevent the swivel base from swiveling at all, install one screw (**J**) into back hole #1 instead of screw (**B**) and spacer (**G**).

5 Align holes in race with holes 1 through 4 of swivel base. Once position is determined, attach swivel base to surface using one screw (**F**) and one T-nut (**I**) in center of swivel base and one screw (**B**) and one spacer (**G**) in back hole #1. If swivel restriction is needed, use one spacer (**G**) and screw (**B**) in position 1 and then refer to step 6. If you would like to prevent the swivel base from swiveling at all, install one screw (**J**) into back hole #1 instead of screw (**B**) and spacer (**G**).



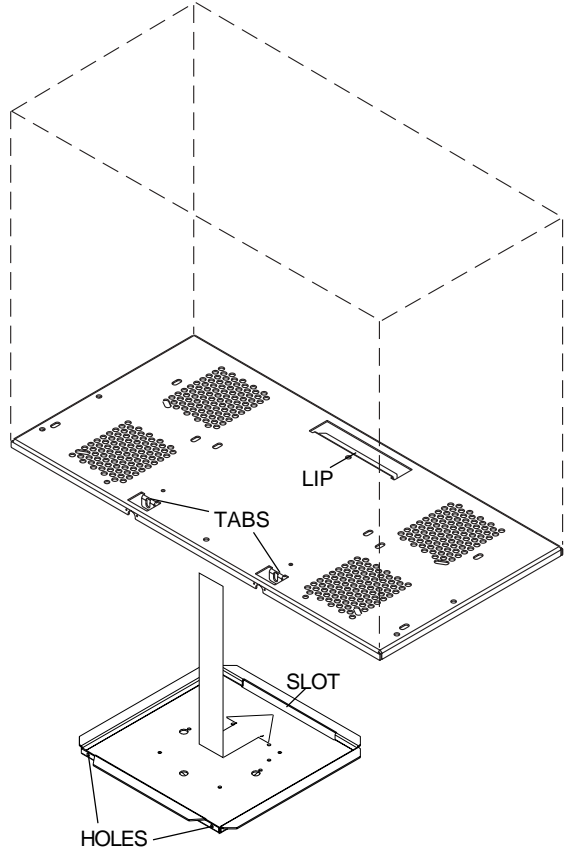
Swivel Restriction

6 Tray swivel can be stopped entirely (as described in steps 4 and 5) or restricted to either 10, 30, 60, or 90 degrees. To restrict swivel, place two screws (**D**) with spacers (**G**) into holes on left and on right at desired degree.

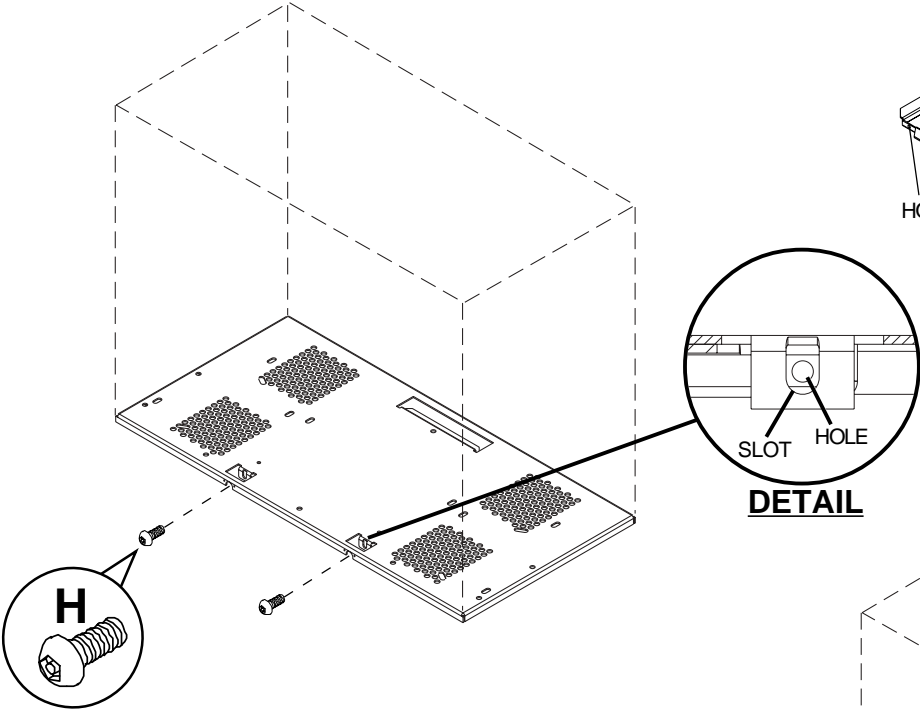


7

Attach tray, with TV mounted onto it, to swivel base by sliding trays together. The lip of the tray (as shown) will lock into the slot in swivel base. The slot of the two tabs in the tray will lock into the slot in swivel base. The slot of the two tabs in the tray will align with the two holes on the swivel base.



To lock trays together, be certain that the hole in the swivel base is centered within the slot in the tray (see detail below). Secure on left and right using two pentapin screws (H) with tool (C).



8

Finish by snapping two Peerless cover plates (E) onto tray as shown.

