

Installation and Assembly - Locking Desktop Swivel

IMPORTANT! Read entire instruction sheet before you start installation and assembly.

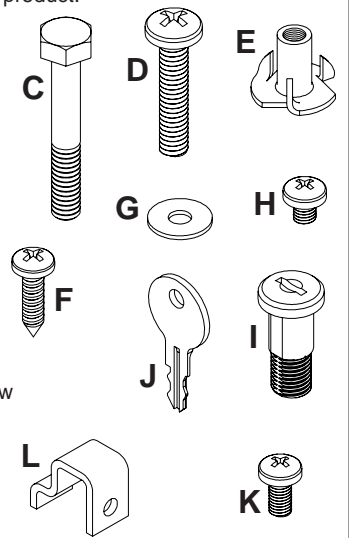
Models: LDS 310, LDS 375,
LDS 375-D, LDS 530

Parts List

Before you start make sure all parts listed are included with your product.

PART #	QTY.	DESCRIPTION
A 090-0075-1	1	tray (LDS 310)
120-0013-1	1	tray (LDS 375, LDS 375-D)
120-0015-1	1	tray (LDS 530)
B 2363-373	1	upper tray (LDS 310)
2245-371	1	upper tray (LDS 375)
090-1162	1	upper tray (LDS 375-D)
1436-373	1	upper tray (LDS 530)

PART #	QTY.	DESCRIPTION
C 520-9204	1	1/4"-20 x 1 3/4" hex bolt
D 510-9111	4	1/4"-20 x 1 1/4" phillips screw
E 530-9301	4	1/4"-20 3 prong t-nut
F 500-9006	4	#10 x 3/4" wood screw
G 540-9400	4	3/16" x 1/2" flat washer
H 520-9504	2	M5 x 6 mm screw
I 3022-502	1	lock plug
J 0000-322	1	key
K 520-9250	4	M5 x .8 x 10 mm phillips screw
L 2245-081	4	uni-clip



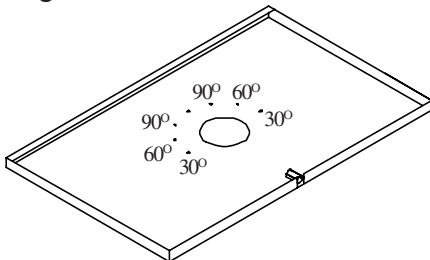
This product is intended for use with UL Listed products and must be installed by a qualified professional installer.

LDS 310	Product is UL rated up to 13" TV, 125 lb
LDS 375	Product is UL rated up to 27" TV, 125 lb
LDS 375-D	Product is UL rated up to 27" TV, 125 lb
LDS 530	Product is UL rated up to 20" TV, 125 lb

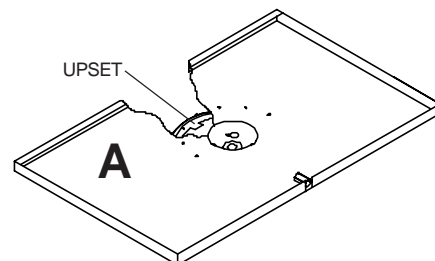
1

Restricting Swivel

Use the two M5 x 6 mm screws (H) to restrict swivel if needed. Simply insert the screws at the appropriate location, depending upon angle of swivel desired, and tighten down.



Note: If using swivel stop, you must have the "upset" on the swivel mechanism (bottom of tray) to the rear.



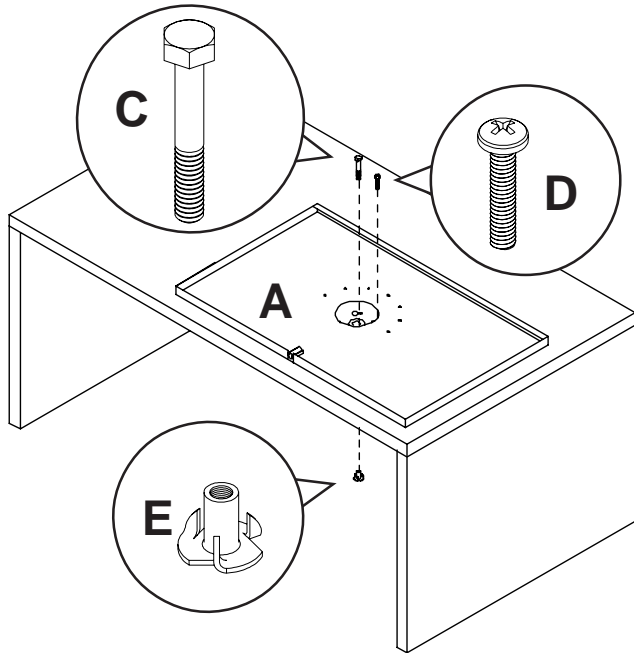
2 Secure lower tray (A) to furniture surface using either one of the following methods:

METHOD ONE (Quick Method)

The 1³/₄" hex bolt (C), placed through the center hole in tray and fastened underneath with one of the t-nuts (E).

METHOD TWO

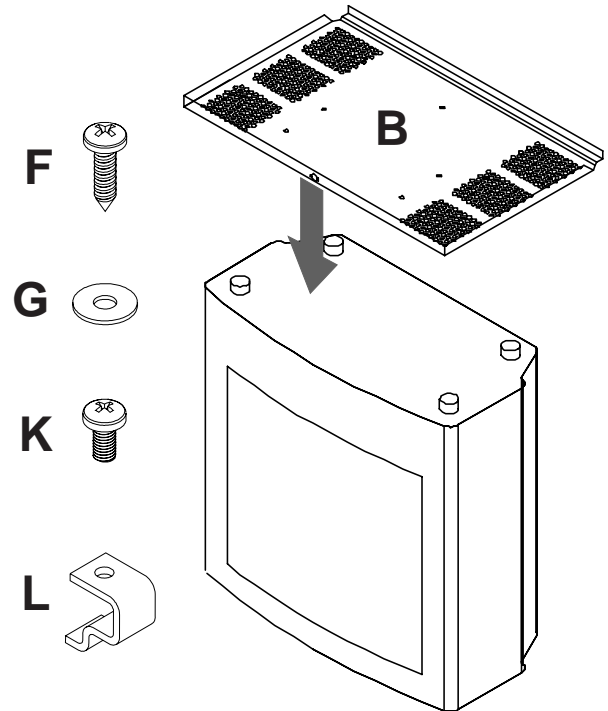
The four T-nuts (E) and four 1¹/₄" phillips screws (D).



3 Note: Before beginning the next step, experiment with the upper tray mounting it to the lower tray to see how they fit.

Turn the television upside down and locate the appropriate mounting holes. Secure the upper tray (B) to the set using the four wood screws (F) and washers (G).

See uni-clip installation card if mounting boss is not present or does not line up with mounting holes in support tray.



4 Lift the television, with the upper tray (B) attached and slide into position on the lower tray (A).

Insert the lock plug (I) (with key (J) inserted) into the lock barrel. Tighten with a clockwise motion and then back off until key is horizontal. Key must be horizontal to be removed.

