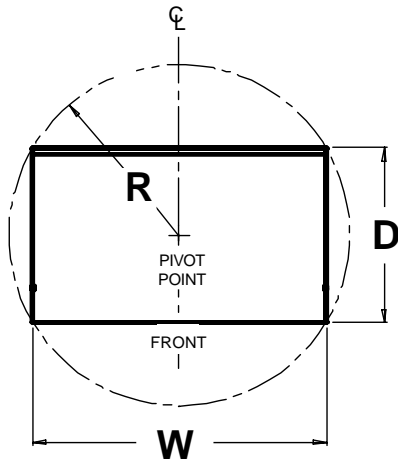
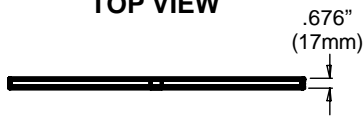




Designed for convenient viewing from any angle in the room, **Desktop TV Swivel Mounts** may be attached to desktops, cabinets or the surface of any furniture capable of carrying the static load equal to four times the combined weight of monitor and mount.

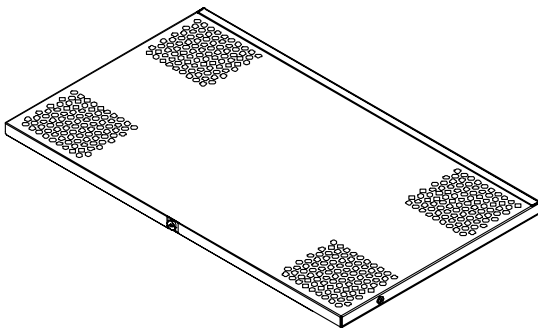


TOP VIEW



FRONT VIEW

Desktop Swivel Mount shown without TV



LDS 310	Product is UL rated up to 13" TV, 125 lbs.
LDS 375	Product is UL rated up to 27" TV, 125 lbs.
LDS 375-D	Product is UL rated up to 27" TV, 125 lbs.
LDS 530	Product is UL rated up to 20" TV, 125 lbs.

MODEL NUMBER	W	D	R	WEIGHT	SHIPPING WEIGHT
LDS 310	10.75" (273mm)	11.5" (292mm)	7.9" (201mm)	5.5 lbs. (2.5 kg.)	7 lbs. (3.2kg.)
LDS 375 LDS 375-D	24" (610mm)	15" (381mm)	14.2" (361mm)	18 lbs. (8.2 kg.)	19 lbs. (8.6kg.)
LDS 530	22" (559mm)	13" (330mm)	12.8" (325mm)	14 lbs. (6.4 kg.)	15 lbs. (6.8kg.)

Features:

- Two-piece support tray with keylock
- 360° Swivel Action
- Black fused epoxy finish

ARCHITECTS SPECIFICATIONS

The Desktop Swivel Mount shall be a Peerless model _____ and shall be located where indicated on the plans. It shall be constructed of heavy gauge cold rolled steel. It shall include a key lock for security. The finish shall be scratch resistant Black Fused Epoxy. Assembly and installation shall be done according to instructions provided by the manufacturer.



Solid Solutions - Solid Support

Peerless Industries, Inc. 3215 W. North Ave. Melrose Park, IL 60160
708-865-8870 800-865-2112 Fax 708-865-2941
www.peerlessmounts.com

TECHNICAL DATA SHEET

**Desktop TV Swivel Mount
for 13"- 27" TV's**

Issued: 7-28-99 Sheet No. 029-9503-6 9-20-06 page 1 of 1