

IMPORTANT! Read entire instruction sheet before you start installation and assembly.



This product is intended for use with UL Listed products and must be installed by a qualified professional installer.

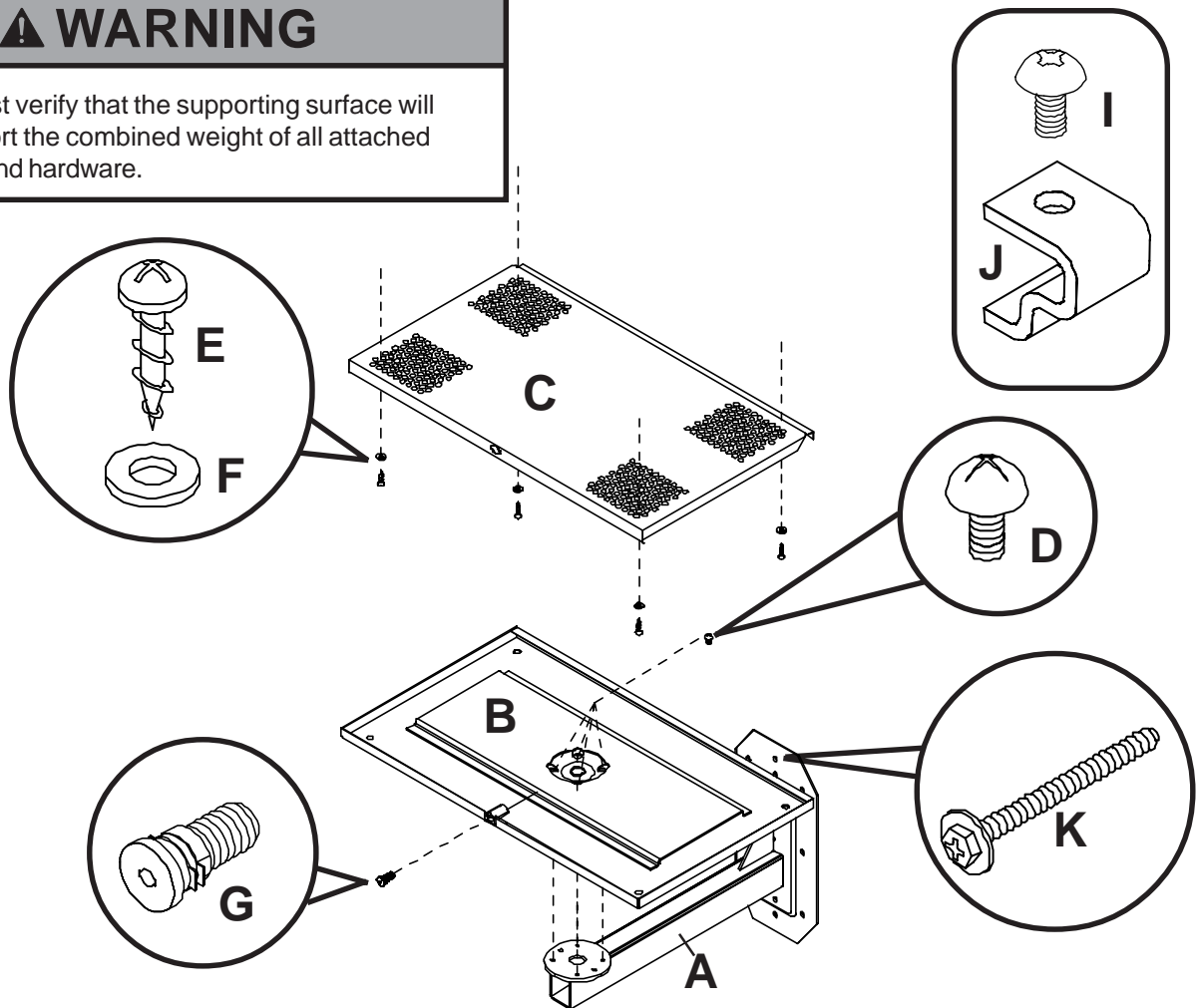
Product is UL rated up to 20" TV, 125 lbs.

| Parts List | | | Parts List | | |
|------------|------|-----------------------------------|------------|------|--|
| PART # | QTY. | DESCRIPTION | PART # | QTY. | DESCRIPTION |
| A | 1 | Wall Arm | G | 1 | Lock Plug |
| B | 1 | Lower Tray (LWB 530 only) | H | 1 | Key (not shown) |
| | 1 | Lower Tray (LWB 530T only) | I | 4 | M5 x .8 x 10 mm Phillips Screw |
| C | 1 | Upper Tray (LWB 530 & 530T only) | J | 4 | Uni-Clip |
| D | 4 | 1/4" Phillips Machine Screw | K | 3 | #14 x 2.5 (6 mm x 65 mm) Wood Screw |
| E | 4 | #10 Phillips Particle Board Screw | *L | 2 | M5 x .8 x 6 mm Phillips Screw (LWB 530 only) |
| F | 4 | Small Flat Washer | | | |

Some parts may appear slightly different than illustrated.

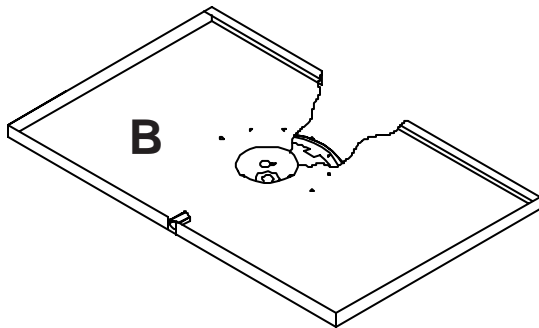
⚠ WARNING

- Installer must verify that the supporting surface will safely support the combined weight of all attached equipment and hardware.

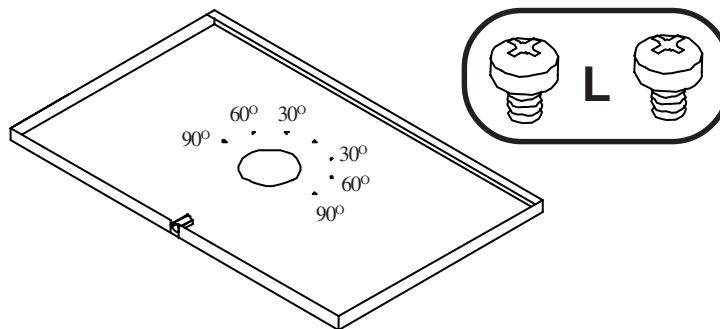


* Note: Steps 1 and 2, page 2, apply to model LWB 530 only. If installing LWB 530T begin with step 3.

- 1** Make sure that swivel race tab on lower tray (**B**) is positioned as shown.



- 2** OPTIONAL: Install two M5 x .8 x 6 mm phillips screws (**L**) into swivel restriction holes. Swivel stop positions are noted next to each hole.



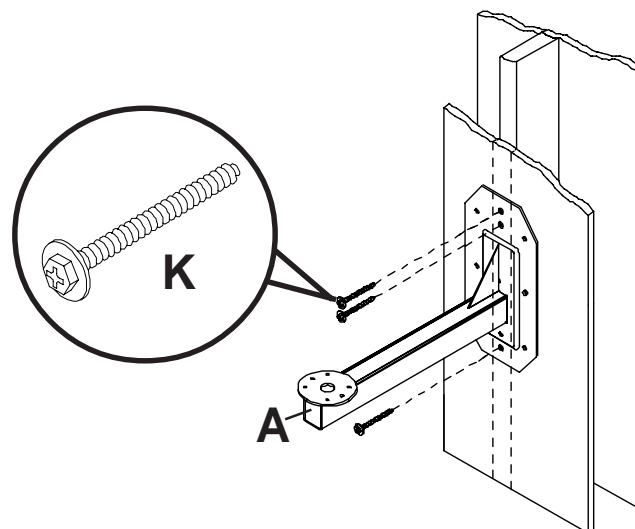
Skip to step 4 if attaching to a concrete wall.

- 3** For attachment to a wood stud wall drill three 5/32" (4 mm) dia. holes 2 1/2" (65 mm) deep into stud centers. Attach wall arm (**A**) with #14 x 2.5" (6 mm x 65 mm) wood screws (**K**).

⚠ WARNING

- Tighten wood screws so that wall plate is firmly attached, but do not overtighten. Overtightening can damage the screws, greatly reducing their holding power.
- Never tighten in excess of 80 in • lb (9 N.M.).
- Make sure that mounting screws are anchored into the center of the studs. The use of an "edge to edge" stud finder is highly recommended.

Skip now to step 5.



⚠ WARNING

- When installing Peerless wall mounts on cinder block, verify that you have a minimum of 1-3/8" of actual concrete surface in the hole to be used for the concrete anchors. Do not drill into mortar joints! Be sure to mount in a solid part of the block, generally 1" minimum from the side of the block. Cinder block must meet ASTM C-90 specifications. It is suggested that a standard electric drill on slow setting is used to drill the hole instead of a hammer drill to avoid breaking out the back of the hole when entering a void or cavity.
- Concrete must be 2000 psi density minimum. Lighter density concrete may not hold concrete anchor.
- Make sure that the supporting surface will safely support the combined load of the equipment and all attached hardware and components.

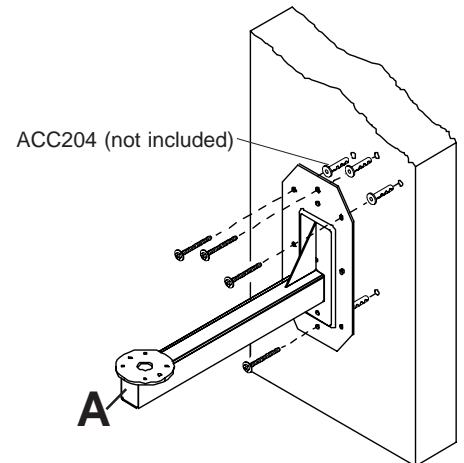
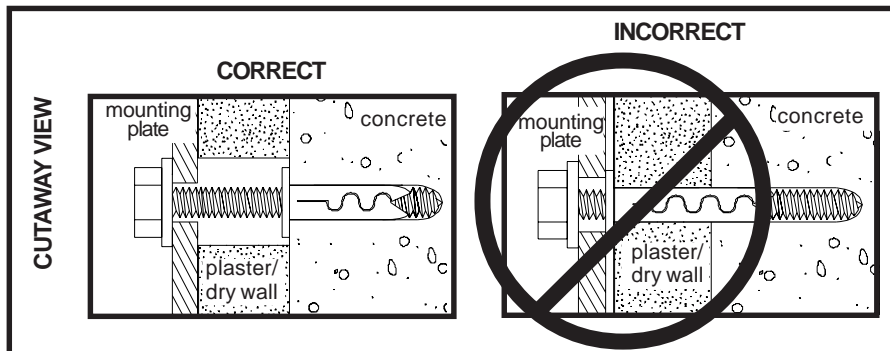
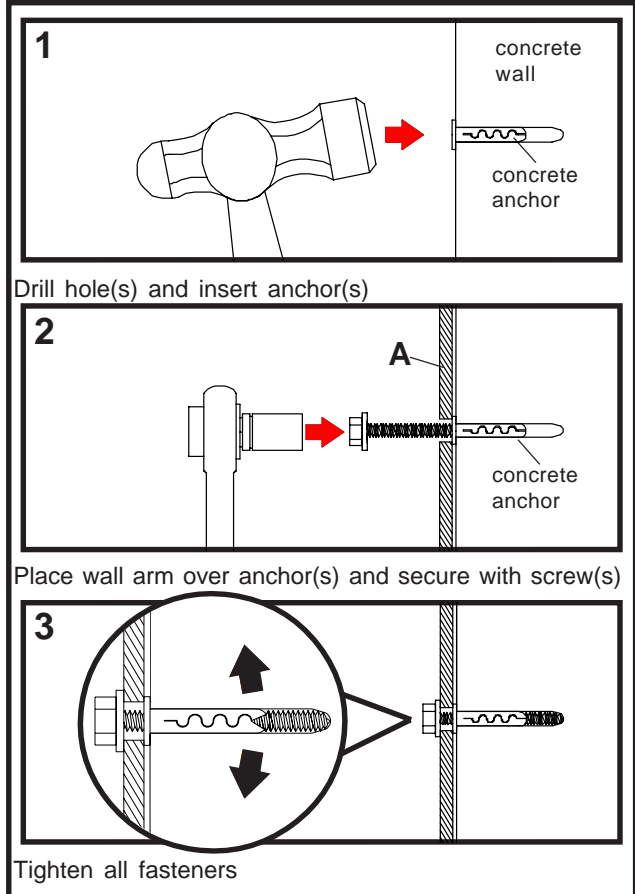
- 4** For **Concrete walls** use wall arm, making sure that it is level, as a template to mark holes. Drill 1/4" (6 mm) dia. holes to a minimum depth of 2.5" (64 mm). Concrete must be 2000 psi density minimum. Insert anchors in holes flush with wall as shown (right). Place mounting plate over anchors and secure with #14 x 2.5" (6 mm x 65 mm) wood screws. Tighten all fasteners.

⚠ WARNING

- Tighten concrete anchor bolts firmly, but do not overtighten. Overtightening can damage the bolts, greatly reducing their holding power.
- Never tighten in excess of 80 in • lb (9 N.M.).

⚠ WARNING

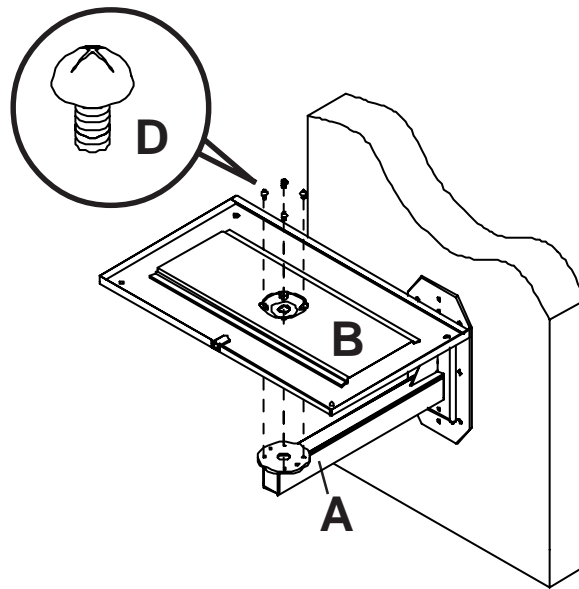
- Concrete anchors are **not** intended for attachment to concrete wall covered with a layer of plaster, drywall, or other finishing material. If mounting to concrete wall covered with plaster/drywall is unavoidable, plaster/drywall (up to 5/8" thick) must be counterbored as shown below. If plaster/drywall is thicker than 5/8", custom fasteners must be supplied by installer.



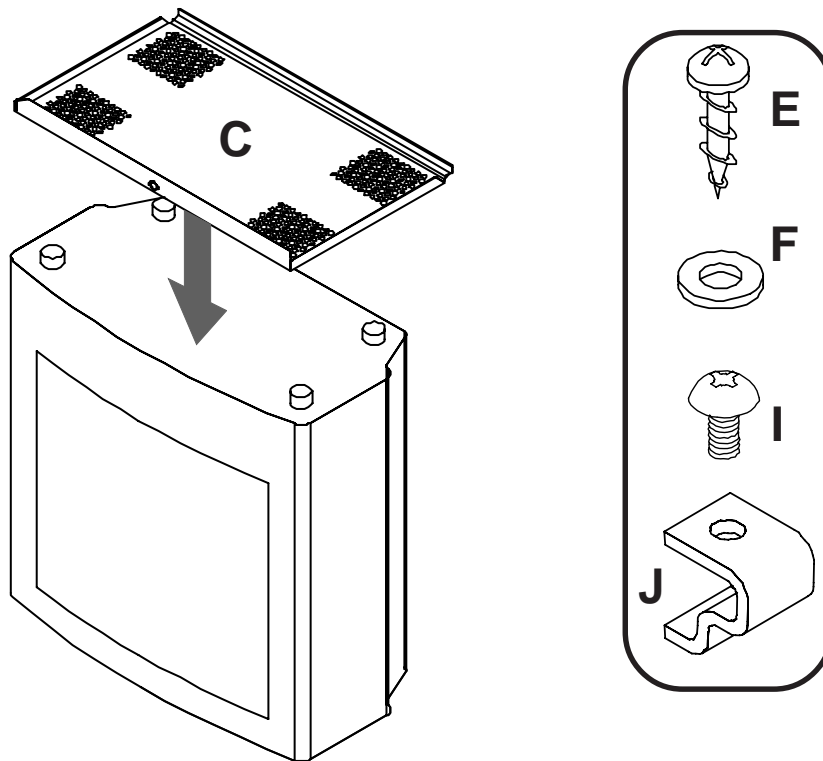
5

Attach lower tray (B) to wall arm (A) using four 1/4-20 x 3/8 phillips screws (D). Tighten securely. If the holes in the race on bottom of tray are not aligned, use a screwdriver and hammer to gently tap the race so that the holes are visible.

Note: The race on the tray bottom is extremely difficult to swivel without the weight of the TV on the tray.

**6**

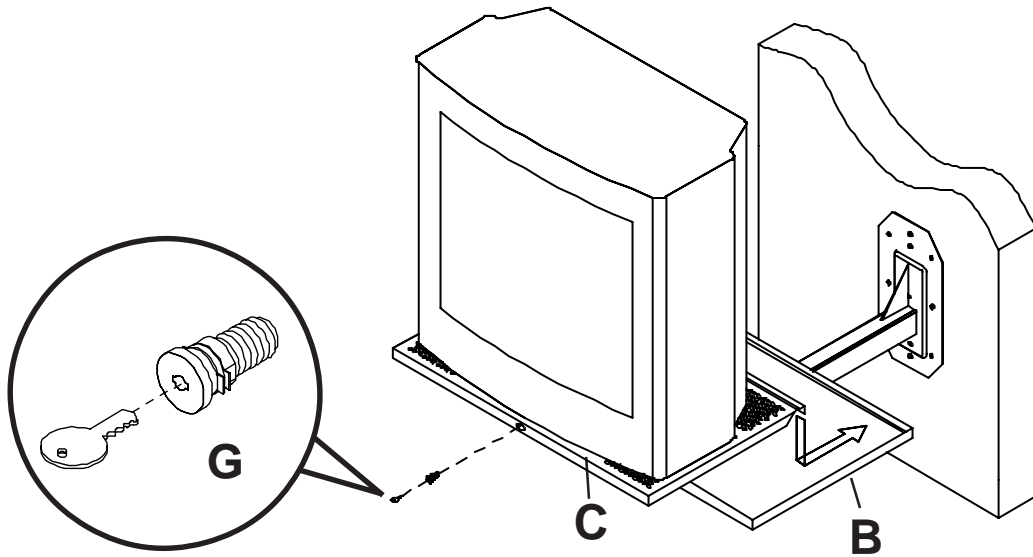
Turn TV upside down on flat stable surface. Using four sets of screws (E) and washers (F) (for attachment to mounting bosses if present), or uni-clips (J) and M5 screws (I) (see instruction card in fastener pack), or a combination of both attach upper tray (C) to TV bottom. Attach at four places as close to the four corners of the TV bottom as possible.



- 7** Insert key into lock plug (**G**). Attach TV/upper tray (**C**) to lower tray (**B**) as shown.

⚠ WARNING

- Always use an assistant or mechanical lifting equipment to safely lift and position the television.



- 7-1** Slide upper tray (**C**) back until fully engaged. Firmly hold in position while you insert and tighten lock plug (**G**), several turns, until fully engaged.

Note: To remove key, slot must be in the horizontal position. This may require that you back off 1/4 turn.

