

TECHNICAL DATA SHEET - Paramount™ Universal Flat Wall Mount with Tilt for 37"-60" LCD and Plasma Flat Panel Screens

PARAMOUNT TM by Peerless

MODEL: PFT660



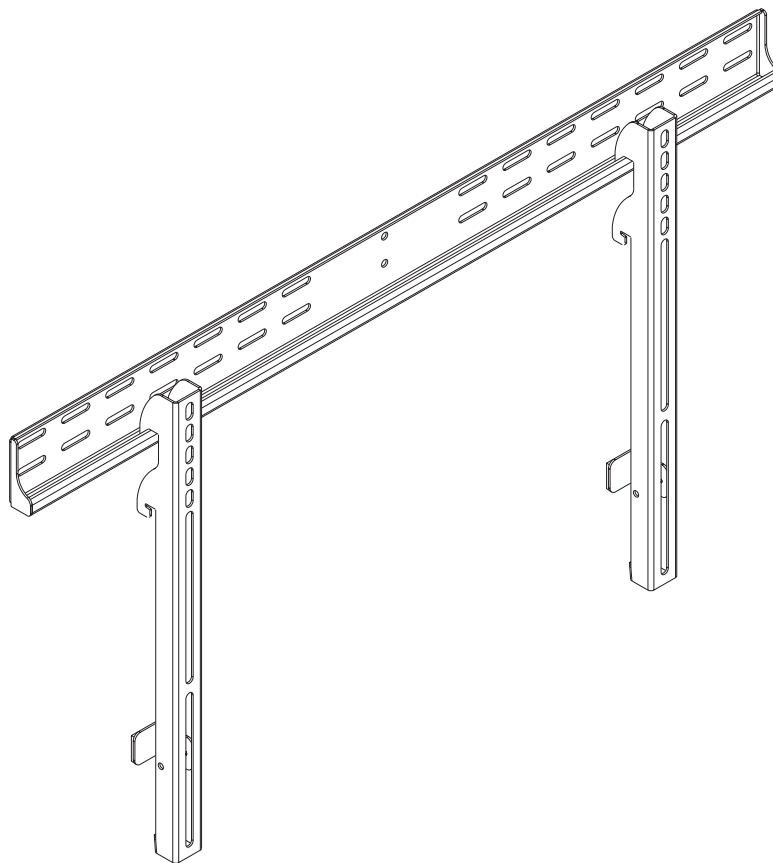
Versatility, strength and ease of installation are combined in the Universal Flat Wall Mount with Tilt. Its simple three-piece design makes installation intuitive and fast with no assembly required. This mount offers close-to-the wall screen installation with the ability to be easily converted from a flat to a tilt wall mount for increased functionality. The simplicity of installation, strength of design and product versatility make this the ideal solution for any application in the home.

Features:

- Integrated tilt feature for increased functionality
- Adjustable tilt of 2°, 5° and 10° for viewing flexibility
- Safety tab ensures screen is securely attached to wall plate
- Single rail wall plate design allows for a less intrusive installation
- Universal brackets easily hook onto wall plate for fast installation
- Horizontal screen adjustment up to 8", for centering screen on wall
- Slim design holds screen only 2" from wall
- Mounts to wood studs, concrete or cinder block
- Largest VESA pattern accepted: 800 x 400

Accessories:

- 4 Piece Metal Stud Fastener Kit (ACC 415 required for two stud wall installation, sold separately) (metal stud not evaluated by UL)
- 2 Piece Metal Stud Fastener Kit (ACC 215 & ACC 415 required for three stud wall installation, sold separately) (metal stud not evaluated by UL)
- Paramount™ A/V Component Shelf (PCS200, sold separately)



Dimensions:

Weight:

6.4 lb (2.90 kg)

Shipping weight:

7 lb (3.18 kg)

Maximum UL Load Capacity:

175 lb (79.38 kg)

Shipping Carton dimensions:

L = 35.375 in (890 mm)

W = 5.25 in (133 mm)

H = 2.125 in (54 mm)

ARCHITECTS SPECIFICATIONS

The Paramount™ Universal Flat Wall Mount with Tilt shall be a Peerless model _____ and shall be located where indicated on the plans. It shall be constructed of heavy gauge steel. The finish shall be scratch resistant gloss black fused epoxy. Assembly and installation shall be done according to instructions provided by the manufacturer.

Peerless Industries, Inc.

3215 W. North Ave. Melrose Park, IL 60160
708-865-8870 800-865-2112 Fax 708-865-2941

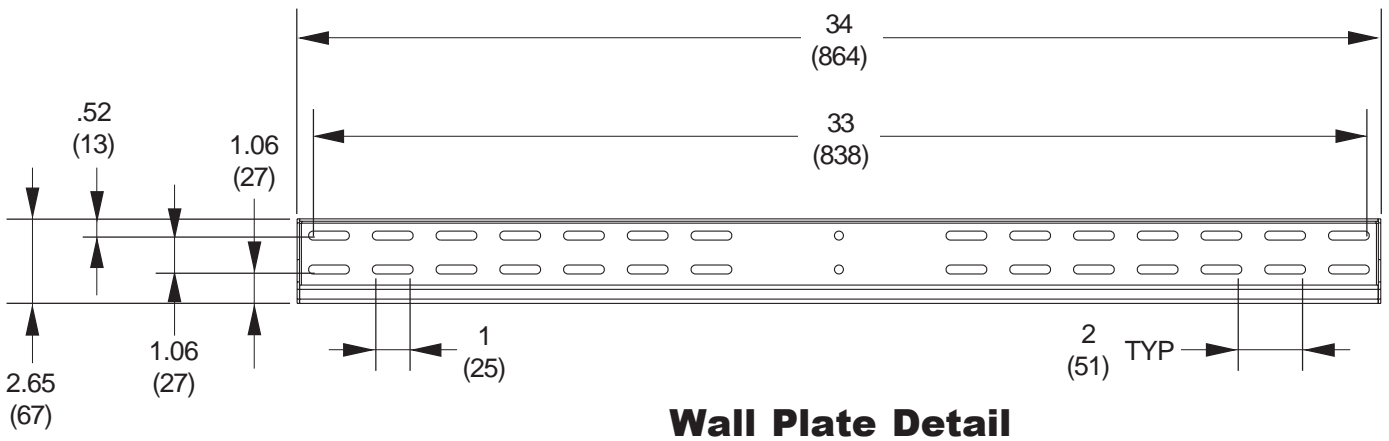
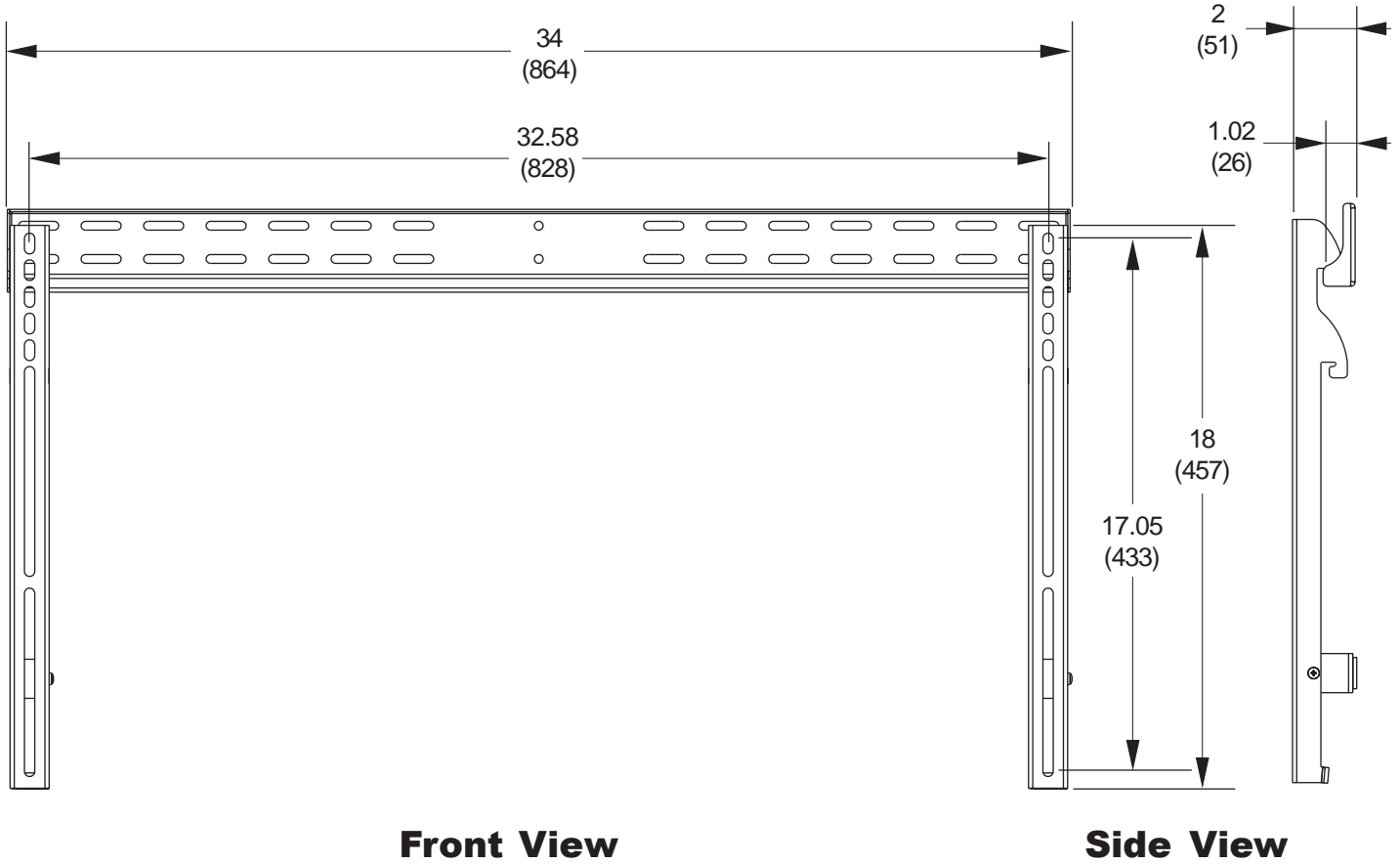
www.peerlessmounts.com

ISSUED: 07-26-07 SHEET NO: 202-9560-1

TECHNICAL DATA SHEET

MODEL: PFT660

All dimensions = inch (mm)



TECHNICAL DATA SHEET

MODEL: PFT660

Tilt increments

