

Read instruction sheet before you start installation and assembly.

Maximum Load Capacity:
225 lb (102.3 kg)

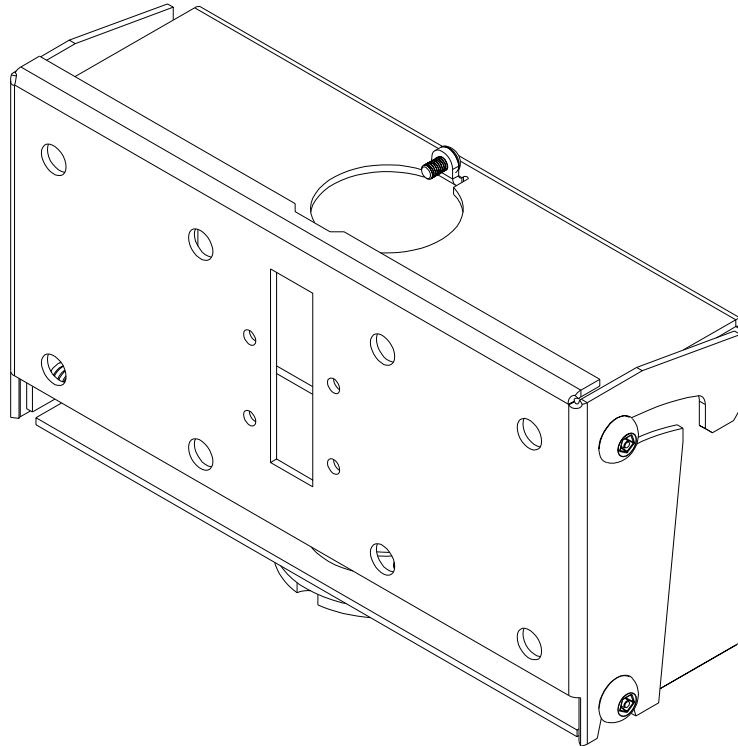


TABLE OF CONTENTS

Installations

Installing PLCM 2 to ceiling..... page 3

Applications

Installation of plasma screens and
30" or larger LCD screens..... page 4
Installation of small LCD screens..... page 5

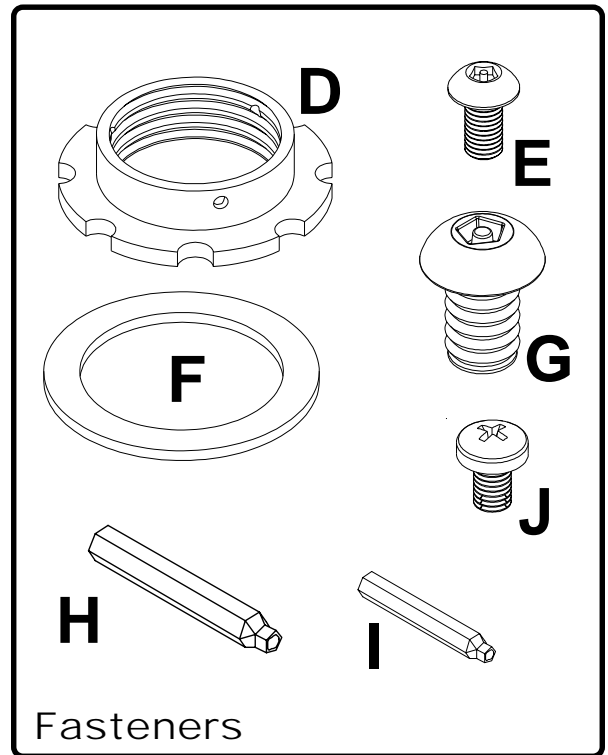
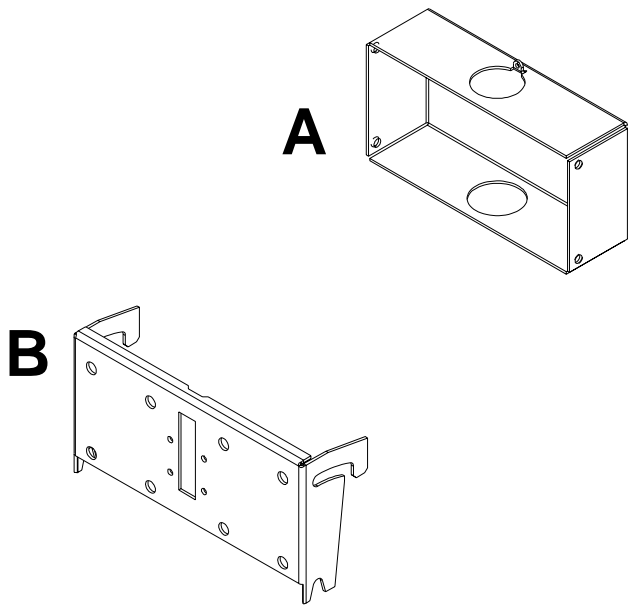
⚠ WARNING

- Installer must verify that the wall will safely support the combined weight of all attached equipment and hardware.

Before you begin, make sure all parts shown are included with your product.

PARTS LIST

Description	Qty	Part #
A ceiling arm box	1	201-1062
B tilt bracket	1	200-1552
D retaining collar	1	1800-375
E M5 x .8 x 10 mm penta-pin™ screw	4	505-9010
F 2.875 OD x 2.125 ID x .062 H fiber washer	1	540-9432
G M10 x 1.5 x 15 mm penta-pin screw	8	520-9263
H M10 x 2" penta-pin tool	1	520-9260
I M5 x 1" penta-pin tool	1	520-9249
J M5 x .8 x 8 mm phillips Type F screw	4	520-1167



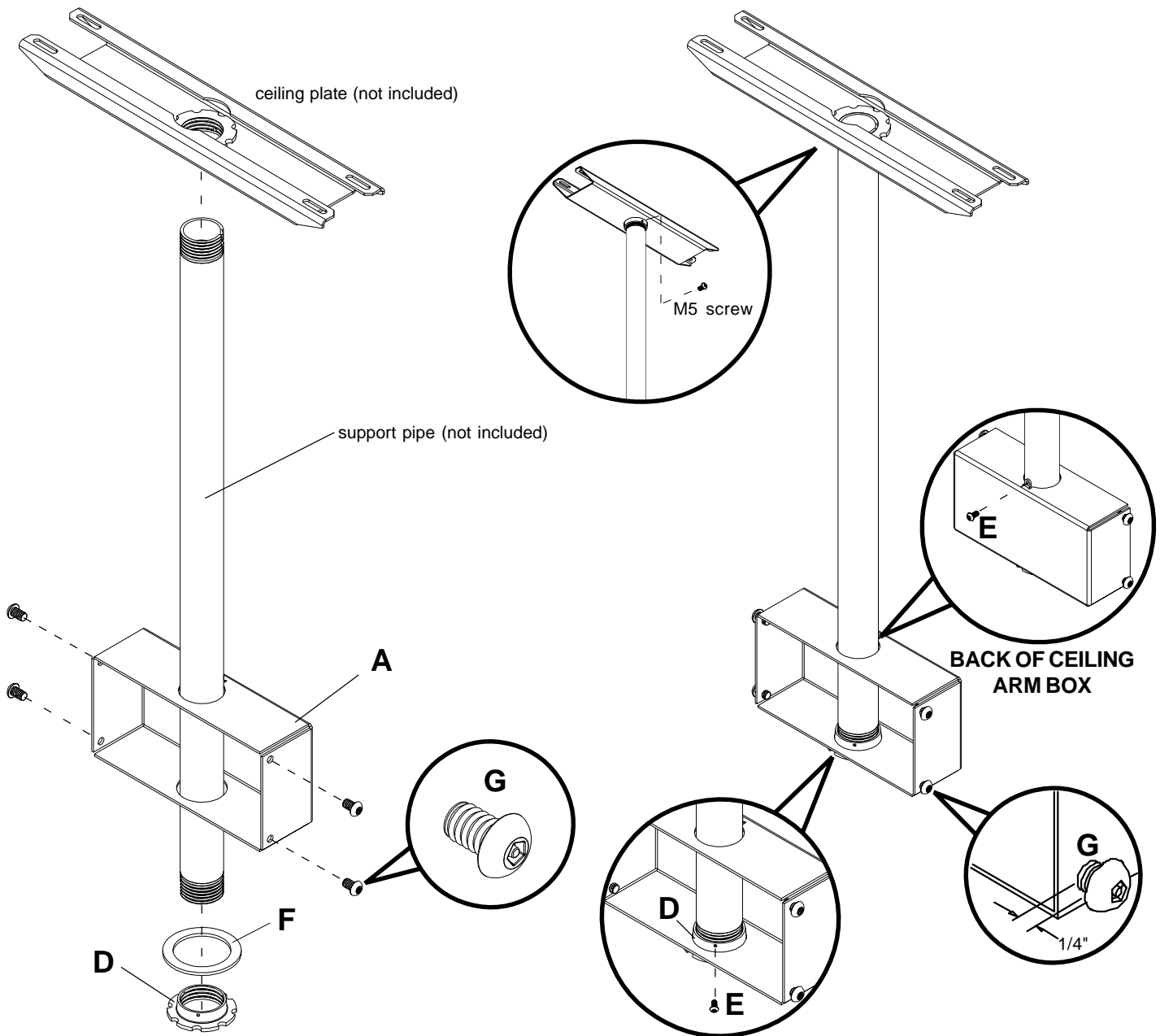
Fasteners

Note: Some parts may not appear exactly as illustrated.

1

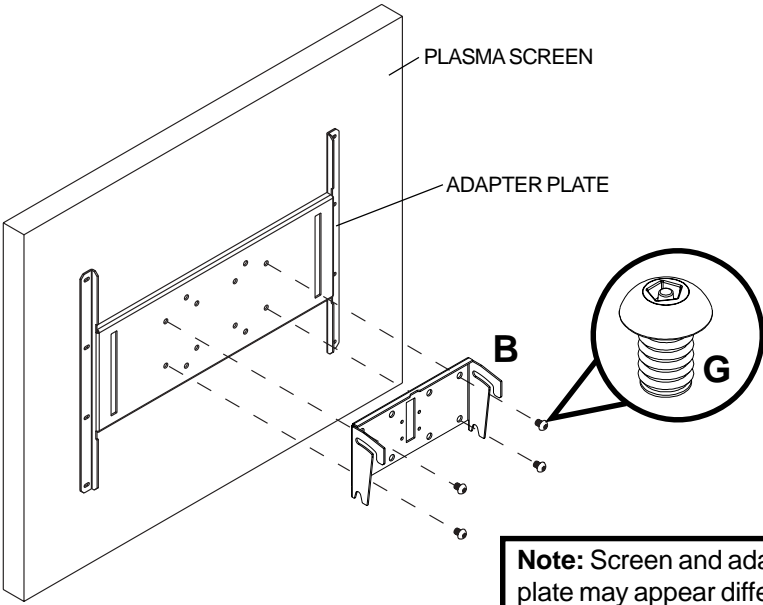
Thread support pipe (not included) into threaded fitting in ceiling plate (not included). Tighten - four or five complete turns - leaving slot aligned with one small hole in the side of the ceiling plate threaded fitting. Insert and tighten one M5 x .8 x 10 mm penta-pin screw provided with ceiling plate as shown. Use the M5 penta-pin tool (I) to tighten screw. BY HAND, insert four M10 x 1.5 x 15 mm penta-pin screws (G) into threaded holes in the sides of ceiling arm box (A). Leave approximately 1/4" of exposed thread. Slide ceiling arm box (A) and fiber washer (F) onto end of support pipe. Thread retaining collar (D) onto threaded end of support pipe. Tighten - four or five complete turns. Slide ceiling arm box (A) down so that it is on top of retaining collar (D). Insert and tighten one M5 x .8 x 10 mm penta-pin screw (E) into retaining collar (D) as shown. Insert one M5 penta-pin screw (E) through the tab on the back of ceiling arm box (A). Use M5 penta-pin tool (I) to tighten screw just enough to stabilize support pipe.

Note: ADJ or EXT extension columns can be used in combination with, or in place of support pipe to achieve different lengths.

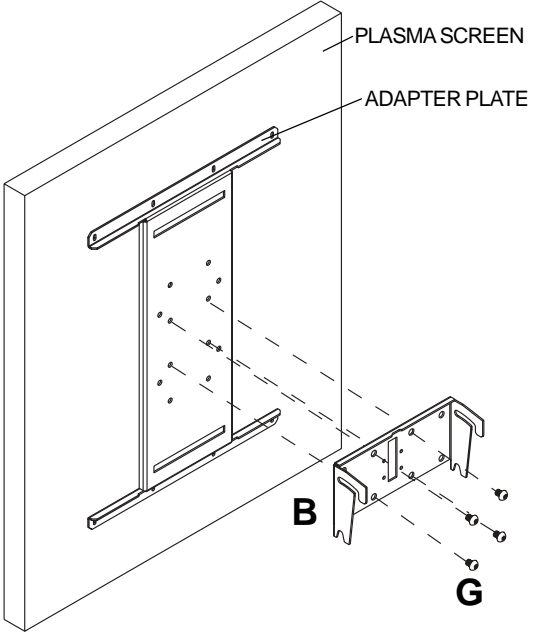


Note: Refer to adapter plate instruction sheet for attachment of adapter plate to plasma before proceeding with step 2.

2 Attach tilt bracket (**B**) to adapter plate using four M10 x 15 mm penta-pin screws (**G**) in accordance with appropriate drawing below. Tighten using M10 penta-pin tool (**H**).



Note: Screen and adapter plate may appear different than illustrated.



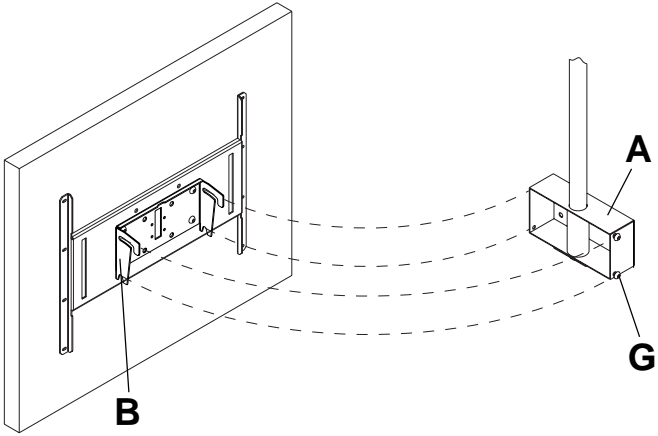
LANDSCAPE

PORTRAIT

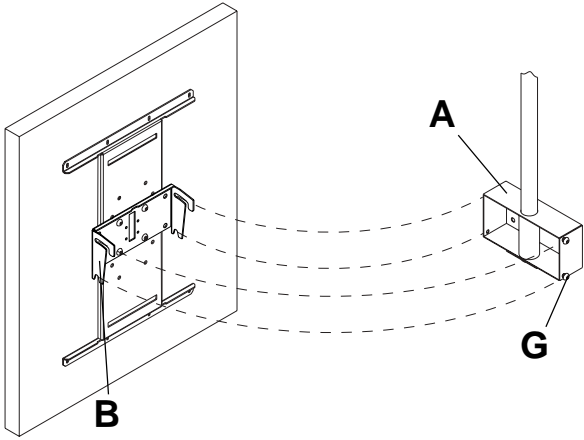
3 Hang tilt bracket (**B**) onto ceiling arm box (**A**). Adjust tilt as desired and tighten four M10 x 1.5 x 15 mm penta-pin screws (**G**) securely using M10 penta-pin tool (**H**).

⚠ WARNING

- For a safe assembly be sure to fully tighten four screws (**G**).



LANDSCAPE



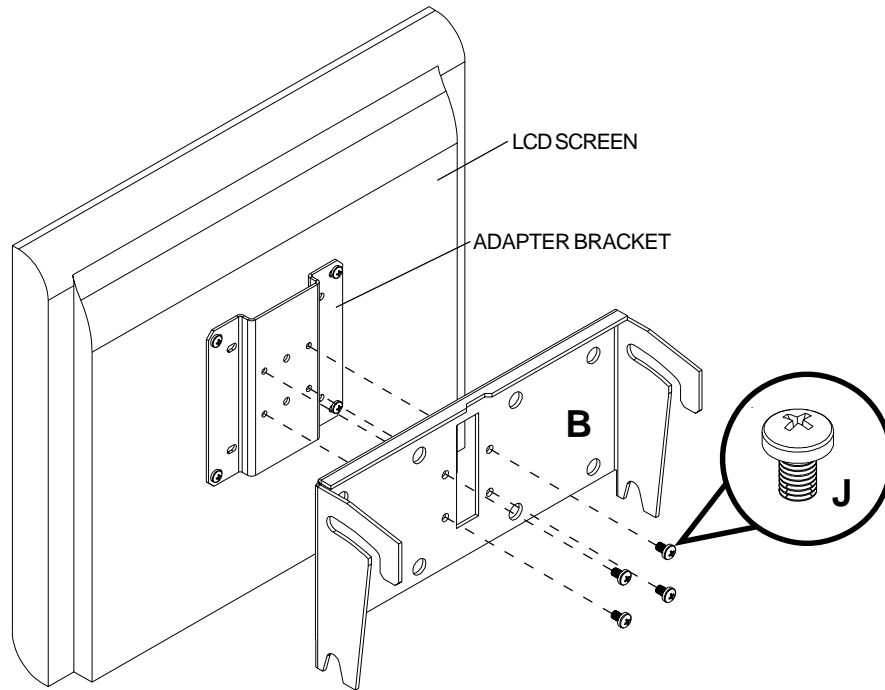
PORTRAIT

Note: Refer to adapter bracket instruction sheet for attachment of adapter bracket to LCD screen before proceeding with step 2.

2

Attach tilt bracket (**B**) to adapter bracket using four M5 x 8 mm phillips screws (**J**).

Note: Do not use M5 x 6 mm screws that are included with the adapter bracket.



Note: Screen and adapter plate may appear different than illustrated.

3

Hang tilt bracket (**B**) onto ceiling arm box (**A**). Adjust tilt as desired and tighten four M10 x 1.5 x 15 mm penta-pin screws (**G**) securely using M10 penta-pin tool (**H**).

⚠ WARNING

- For a safe assembly be sure to fully tighten four screws (**G**).

