



This product is intended for use with UL Listed products and must be installed by a qualified professional installer.

**Maximum Load Capacity:**  
225 lb (102.3 kg)

*Read instruction sheet before you start installation and assembly.*

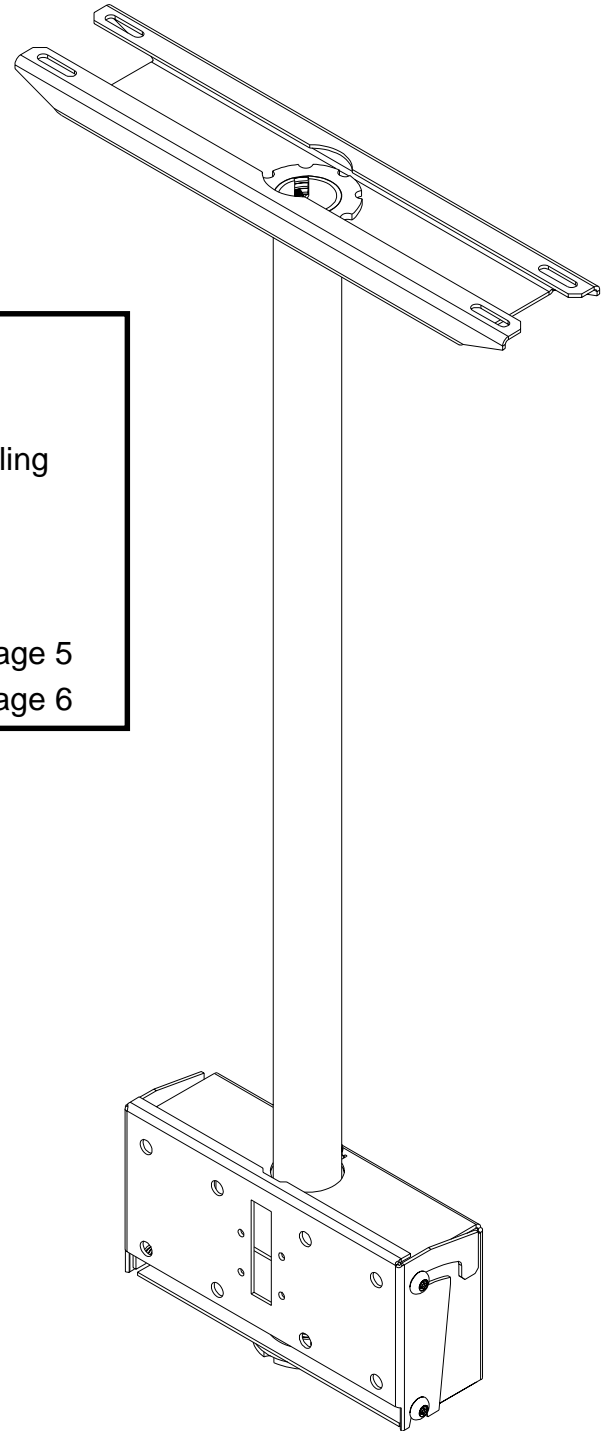
## TABLE OF CONTENTS

### Installations

Installing Flat Panel Straight Column Ceiling Mount to ceiling  
pages 3-4

### Applications

Installation of plasma screens and  
30" or larger LCD screens ..... page 5  
Installation of small LCD screens ..... page 6



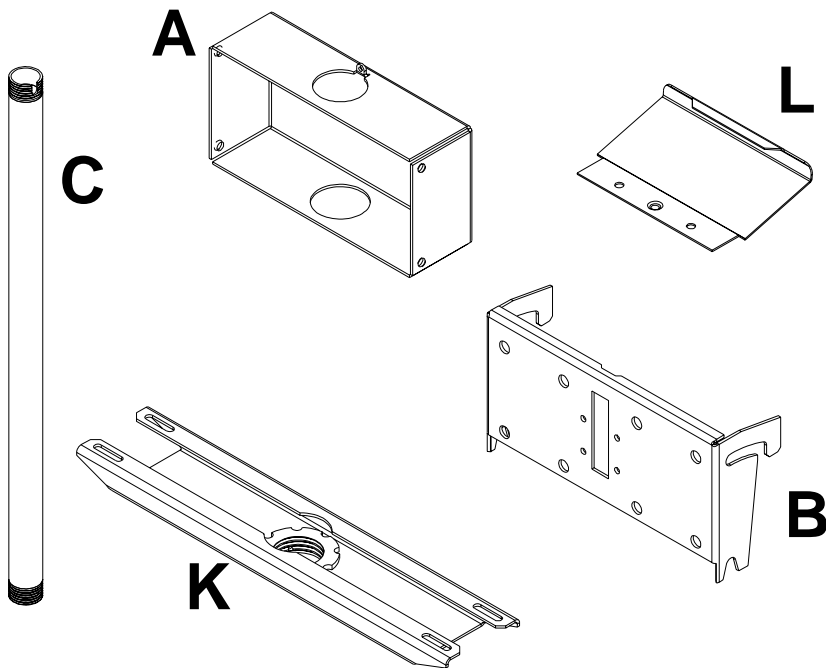
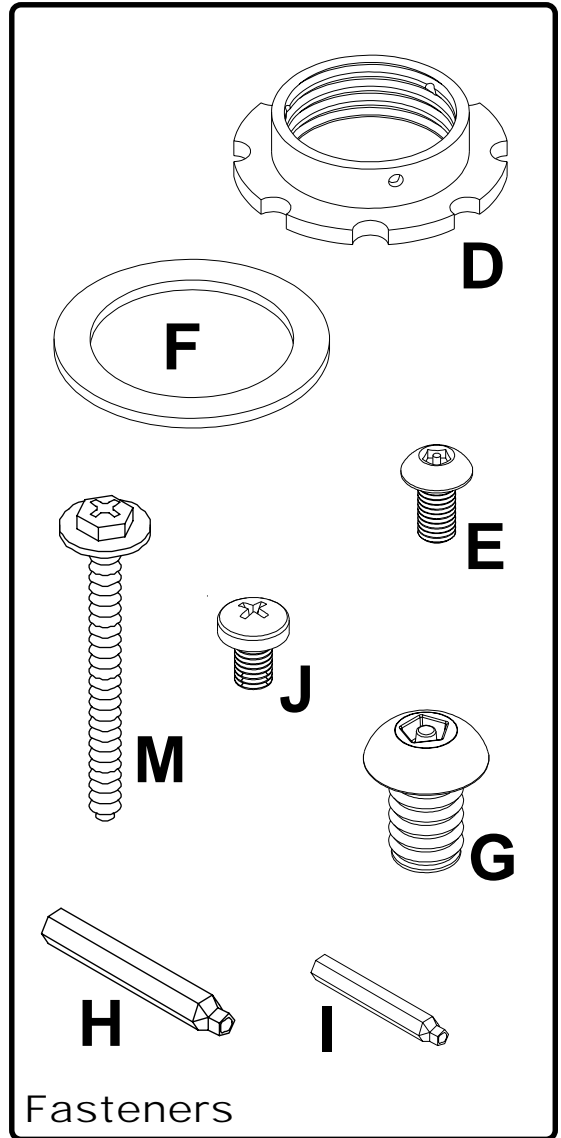
## ⚠ WARNING

- Installer must verify that the ceiling will safely support the combined weight of all attached equipment and hardware.

Before you begin, make sure all parts shown are included with your product.

# PARTS LIST

Description	Qty	PLCM 1 CP
		PLCM UNL CP Part #
<b>A</b> ceiling arm box	1	201-1062
<b>B</b> tilt bracket	1	200-1552
<b>C</b> 33" extension column	1	139-1088
<b>D</b> retaining collar	1	1800-375
<b>E</b> M5 x .8 x 10 mm penta-pin™ screw	5	505-9010
<b>F</b> 2.875 OD x 2.125 ID x .062 H fiber washer	1	540-9432
<b>G</b> M10 x 1.5 x 15 mm penta-pin screw	8	520-9263
<b>H</b> M10 x 2" penta-pin tool	1	520-9260
<b>I</b> M5 x 1" penta-pin tool	1	520-9249
<b>J</b> M5 x .8 x 8 mm phillips Type F screw	4	520-1167
<b>K</b> ceiling plate	1	128-1039
<b>L</b> ceiling plate end cap	2	2PT-22CA01D
<b>M</b> #14 x 2.5" hex head phillips wood screw	4	5S1-015-C03



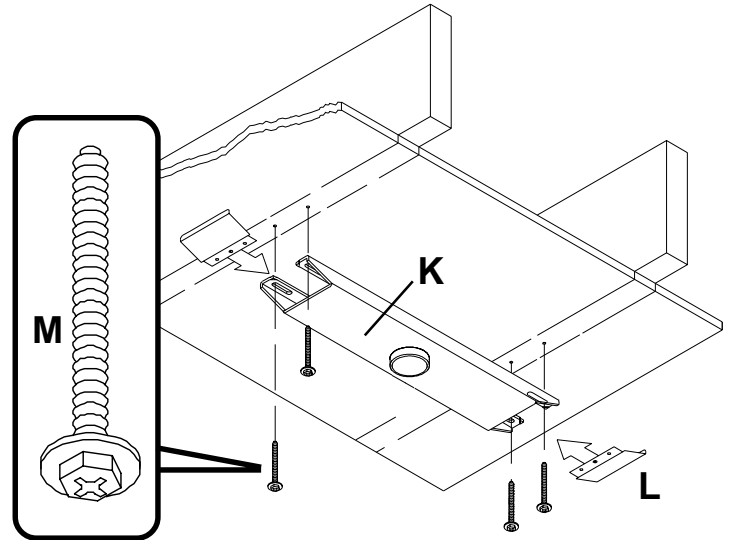
**Note:** Some parts may not appear exactly as illustrated.

**1**

**For Wood Joist Finished Ceiling, Exposed Wood Joists, or Wood Beam Ceiling.** Drill four 5/32" (4 mm) dia. holes to a minimum depth of 2.5" (64 mm) **INTO JOIST CENTERS**. Attach ceiling plate (**K**) with four #14 x 2.5" (6 mm x 65 mm) wood screws (**M**) using a 3/8" (10 mm) socket wrench. Tighten wood screws (**M**) so ceiling plate is firmly attached. Snap end caps (**L**) into place.

## ⚠ WARNING

- Tighten wood screws so that ceiling plate is firmly attached, but do not overtighten. Overtightening can damage screws, greatly reducing their holding power.
- Never tighten in excess of 80 in • lb (9 N.M.).
- Make sure that mounting screws are anchored into the center of the joists. The use of an "edge to edge" stud finder is highly recommended.

**1**

**For Concrete Ceilings** drill four 5/16" (8 mm) dia. holes to a minimum depth of 1 3/4" (45 mm). Attach ceiling plate (**K**) using concrete expansion anchors as shown in 1-1 and 1-2. Then snap end caps (**L**) into place.

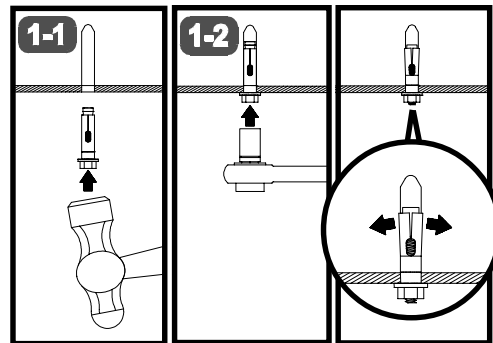
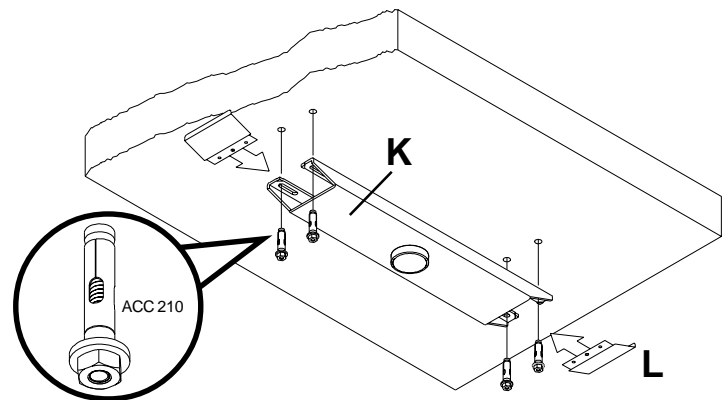
**1-1**

Align hole in ceiling plate with hole in ceiling. Gently hammer in concrete anchor.

**1-2**

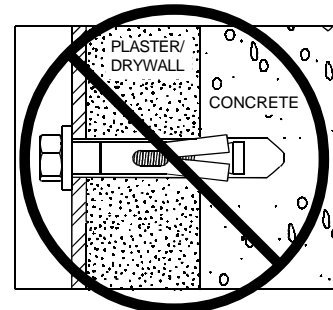
Use a 10 mm wrench to tighten concrete anchor to 80 in • lb (9 N.M.) maximum torque to expand anchors.

**FOR PRODUCT SAFETY USE ONLY RAWL™ #5005 OR HILTI™ HL814 CONCRETE ANCHORS.** Order accessory kit **#ACC 210** which contains four .312 x 1.625 (8 mm x 41 mm) concrete expansion anchors.



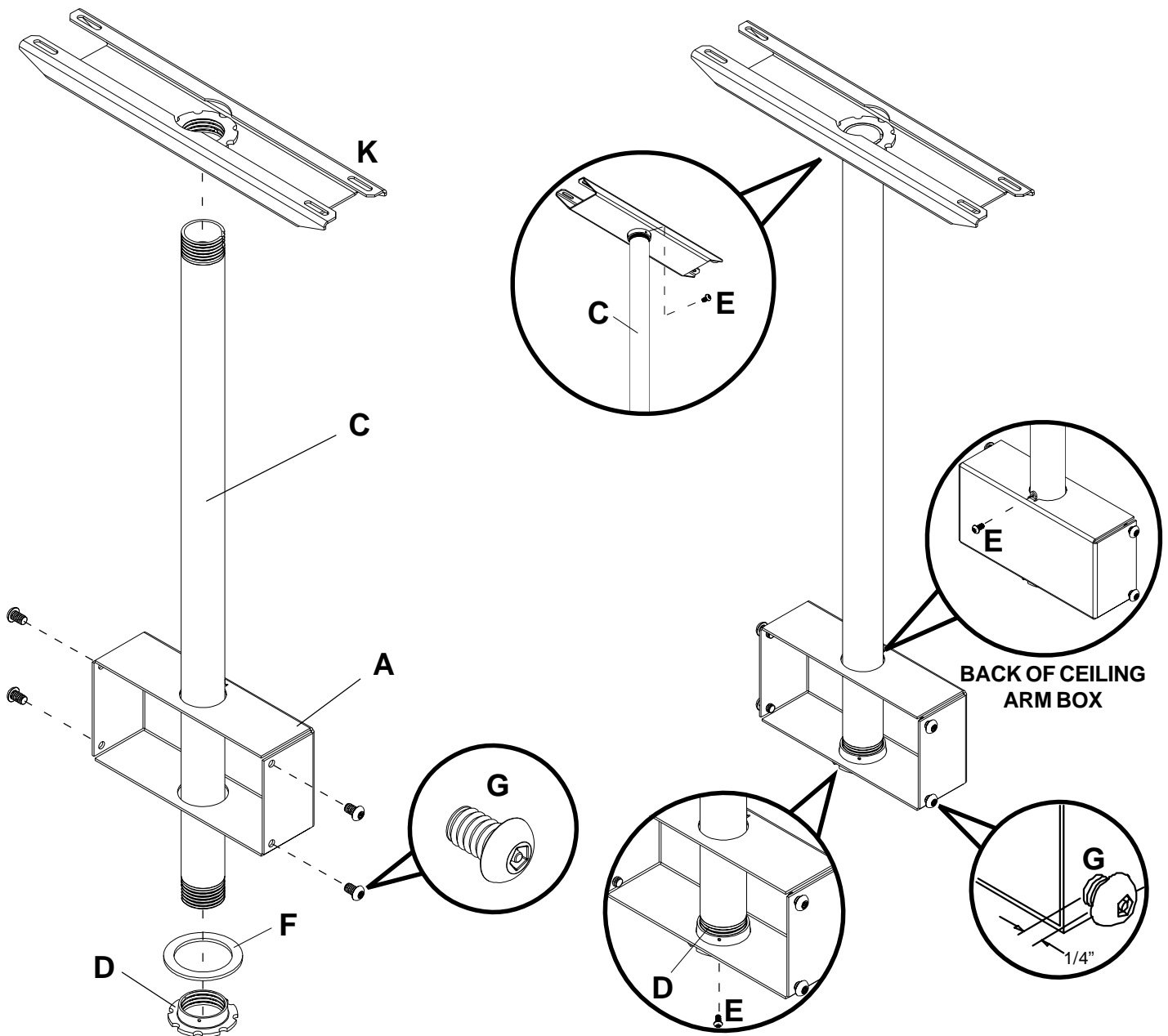
## ⚠ WARNING

- Always attach concrete expansion anchors directly to load-bearing concrete.
- Never attach concrete expansion anchors to concrete covered with plaster, drywall, or other finishing material.



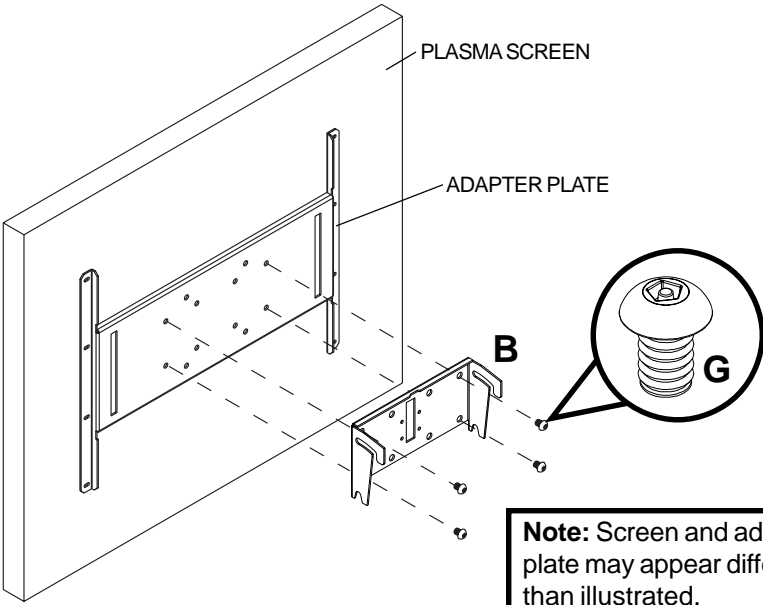
**2**

Thread support pipe (C) into threaded fitting in ceiling plate (K). Tighten - four or five complete turns - leaving slot aligned with one small hole in the side of the ceiling plate threaded fitting. Insert and tighten one M5 x .8 x 10 mm penta-pin screw (E) as shown. Use the M5 penta-pin tool (I) to tighten screw. BY HAND, insert four M10 x 1.5 x 15 mm penta-pin screws (G) into threaded holes in the sides of ceiling arm box (A). Leave approximately 1/4" of exposed thread. Slide ceiling arm box (A) and fiber washer (F) onto end of support pipe (C). Thread retaining collar (D) onto threaded end of support pipe (C). Tighten - four or five complete turns. Slide ceiling arm box (A) down so that it is on top of retaining collar (D). Insert and tighten one M5 x .8 x 10 mm penta-pin screw (E) into retaining collar (D) as shown. Insert one M5 penta-pin screw (E) through the tab on the back of ceiling arm box (A). Use M5 penta-pin tool (I) to tighten screw just enough to stabilize support pipe (C).

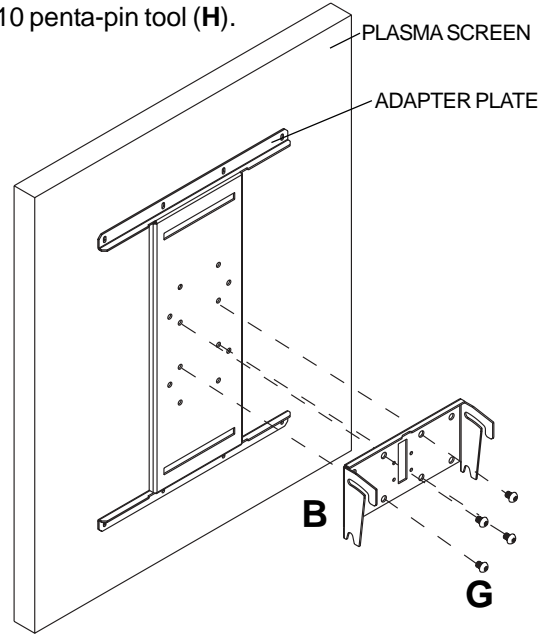


**Note:** Refer to adapter plate instruction sheet for attachment of adapter plate to plasma before proceeding with step 3.

**3** Attach tilt bracket (**B**) to adapter plate using four M10 x 15 mm penta-pin screws (**G**) in accordance with appropriate drawing below. Tighten using M10 penta-pin tool (**H**).



**LANDSCAPE**



**PORTRAIT**  
*(Not to be used with UNL models)*

**Note:** Screen and adapter plate may appear different than illustrated.

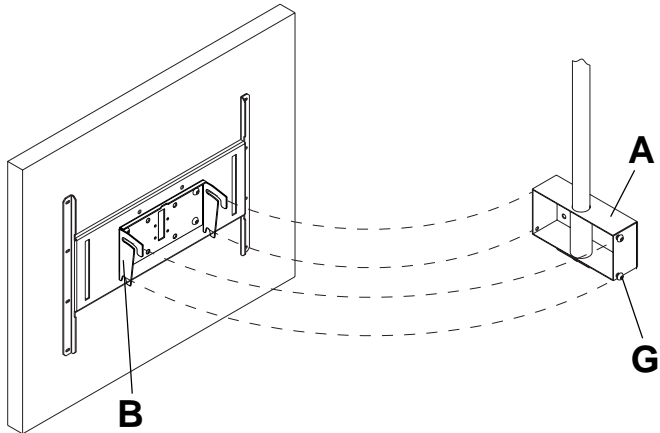
**4** Hang tilt bracket (**B**) onto ceiling arm box (**A**). Adjust tilt as desired and tighten four M10 x 1.5 x 15 mm penta-pin screws (**G**) securely using M10 penta-pin tool (**H**).

**⚠ WARNING**

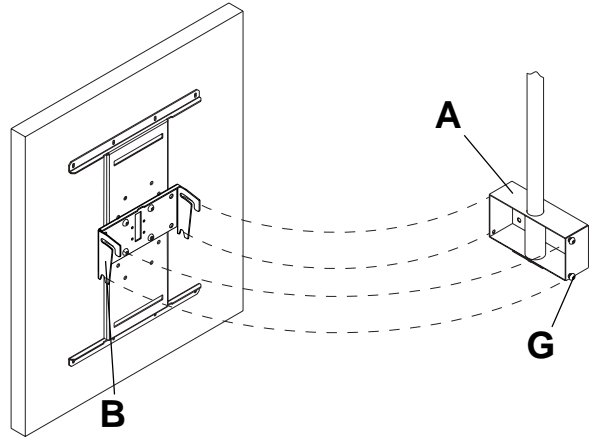
- For a safe assembly be sure to fully tighten four screws (**G**).

**⚠ WARNING**

- Do not mount PLCM UNL-CP in portrait orientation. Mounting PLCM UNL-CP in portrait orientation may result in product failure.



**LANDSCAPE**



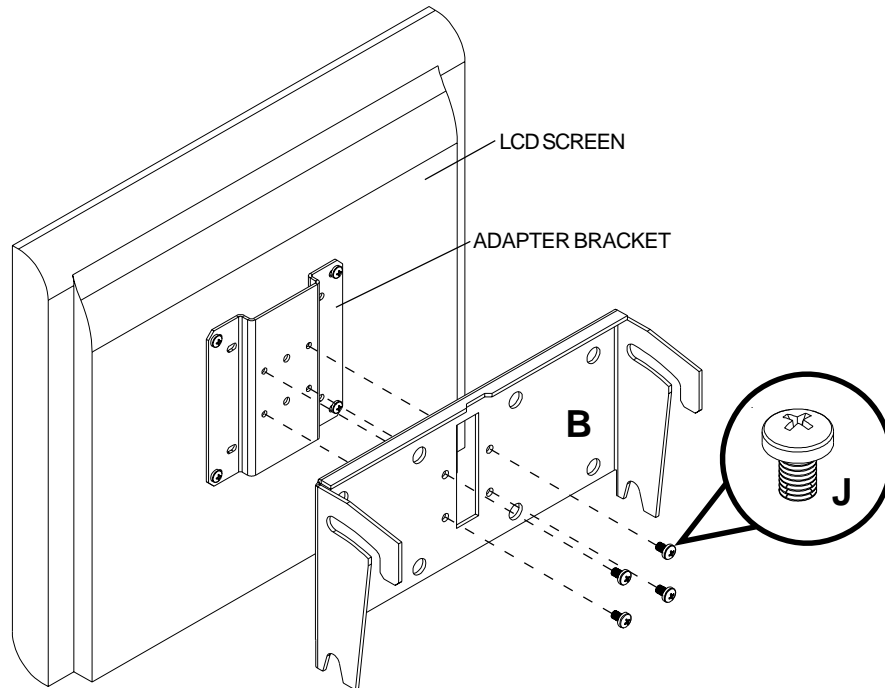
**PORTRAIT**  
*(Not to be used with UNL models)*

**Note:** Refer to adapter bracket instruction sheet for attachment of adapter bracket to LCD screen before proceeding with step 3.

**3**

Attach tilt bracket (**B**) to adapter bracket using four M5 x 8 mm phillips screws (**J**).

**Note:** Do not use M5 x 6 mm screws that are included with the adapter bracket.



**Note:** Screen and adapter plate may appear different than illustrated.

**4**

Hang tilt bracket (**B**) onto ceiling arm box (**A**). Adjust tilt as desired and tighten four M10 x 1.5 x 15 mm penta-pin screws (**G**) securely using M10 penta-pin tool (**H**).

**⚠ WARNING**

- For a safe assembly be sure to fully tighten four screws (**G**).

