

TECHNICAL DATA SHEET - Solid•Point™ Flat Panel Straight Column Ceiling Mount



MODEL: PLCM 1CP	
------------------------	--

Model **PLCM 1CP** Ceiling Mount is designed to support 32" to 63" plasma screens and 15" or larger LCD screens.

Weight	Shipping Weight	Shipping Carton Dimensions
17.25 lb (7.84 kg)	21 lb (9.5 kg)	36.75 x 11.5 x 3.75 (933 x 292 x 95)
All dimensions: inch unless otherwise specified (mm)		

Features:

- Heavy gauge cold rolled steel construction.
- Scratch resistant black fused epoxy finish.
- 360° swivel.
- 0° to 20° adjustable tilt.
- Theft-resistant Penta-pin™ security screws.

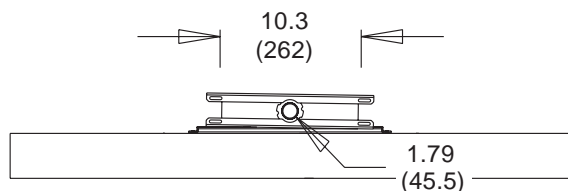
Accessories:

- ADJ models can be used in conjunction with extension column that comes with product for added length.
- EXT models can be used in place of extension column that comes with product.

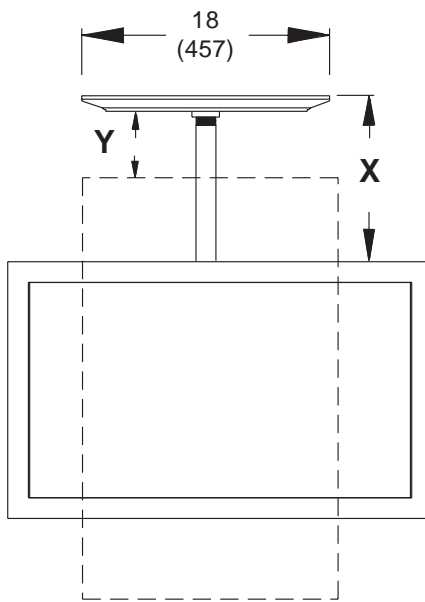
A = 34.5 (876)

Landscape: X = A - (1/2 (height of plasma)) - 2.68"

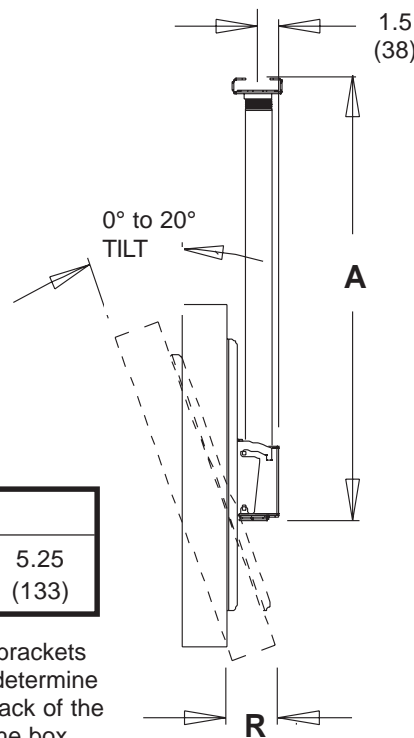
Portrait: Y = A - (1/2 (width of plasma)) - 2.68"



TOP VIEW



FRONT VIEW



SIDE VIEW

*RANGE	
R	3.75 TO 5.25 (95) (133)

*The depth of adapter brackets vary in size which will determine the distance from the back of the plasma to the back of the box.

ARCHITECTS SPECIFICATIONS

The monitor mount shall be a Peerless model **PLCM 1CP** and shall be mounted where indicated on the plans. It shall be constructed of heavy gauge cold rolled steel, steel tubing and finished with scratch resistant Black Fused Epoxy. It shall feature 360° swivel and 0° to 20° range of tilt. Assembly and installation shall be done according to instructions provided by the manufacturer.

Peerless Industries, Inc.
 3215 W. North Ave. Melrose Park, IL 60160
 708-865-8870 800-865-2112 Fax 708-865-2941
www.peerlessmounts.com

Issued: 08-21-02 Sheet No. 200-9715-6 08-31-06

©2006 Peerless Industries, Inc. All rights reserved.
 Peerless is a registered trademark of Peerless Industries, Inc.
 Solid•Point is a trademark of Peerless Industries, Inc.

All other brand and product names are trademarks or registered trademarks of their respective owners.