

TECHNICAL DATA SHEET - Solid•Point™ Flat Panel Straight Column Mount (extension column not included)

peerless®
Solid Solutions - Solid Support™

MODEL: PLCM-2



Model **PLCM-2** Flat Panel Straight Column Mount is designed to support a 32" to 61" plasma screen. Accessory extension column, ceiling plate, and screen adapter plate not included.

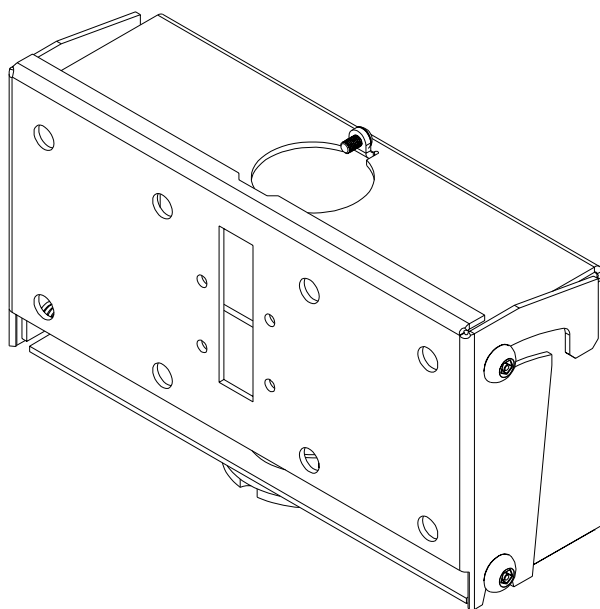
Features:

- Heavy gauge cold rolled steel construction
- Scratch resistant black fused epoxy finish
- 360° swivel
- 0° to 20° adjustable tilt
- Theft-resistant Penta-Pin™ security screws

Accessories:

- Ceiling plate
- Fixed length (EXT models) or adjustable length (ADJ models) extension columns
- Screen adapter plates (PLP models)

Weight	Shipping Weight	Shipping Carton Dimensions
5.8 lb (2.6 kg)	7.5 lb (3.4 kg)	12.25 x 9.62 x 4 (311 x 244 x 102)
All dimensions: inch unless otherwise specified (mm)		



ARCHITECTS SPECIFICATIONS

The monitor mount shall be a Peerless model **PLCM-2** and shall be mounted where indicated on the plans. It shall be constructed of heavy gauge cold rolled steel, steel tubing and finished with scratch resistant Black Fused Epoxy. It shall feature a 0° to 20° range of tilt. Assembly and installation shall be done according to instructions provided by the manufacturer.

Peerless Industries, Inc.
3215 W. North Ave. Melrose Park, IL 60160
708-865-8870 800-865-2112 Fax 708-865-2941
www.peerlessindustries.com

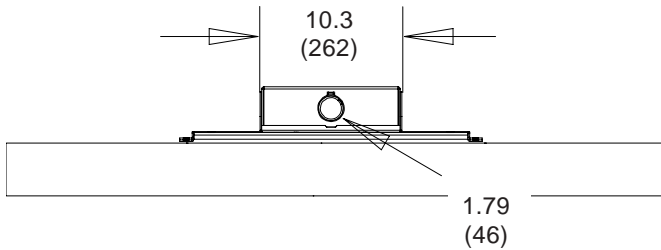
Issued: 02-14-03 Sheet No. 200-9776-4 04-07-05

©2005 Peerless Industries, Inc. All rights reserved.
Peerless is a registered trademark Solid•Point is trademark of Peerless Industries, Inc.

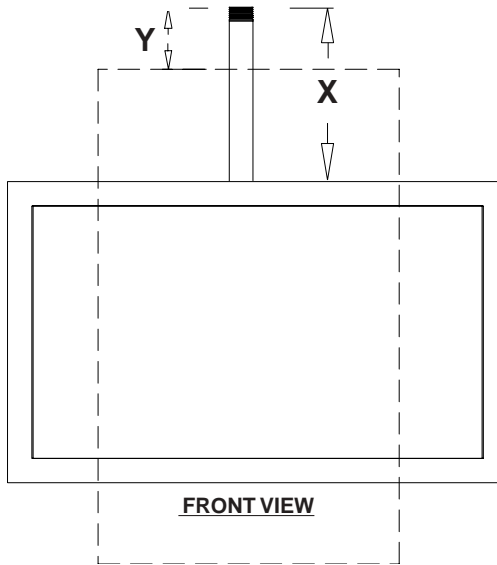
A = length of fixed length (EXT models) or adjustable length (ADJ models) extension column

Landscape: $X = A - (1/2 \text{ (height of plasma)}) - 2.68''$

Portrait: $Y = A - (1/2 \text{ (width of plasma)}) - 2.68''$



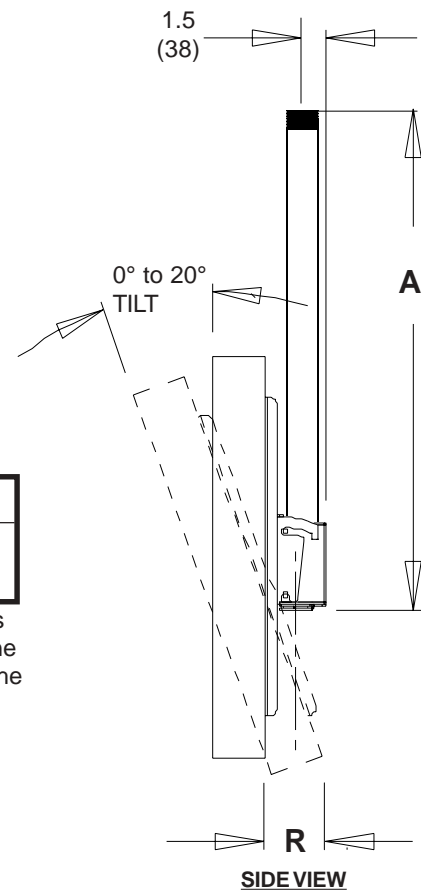
TOP VIEW



FRONT VIEW

*RANGE		
R	3.75 (95)	TO 5.25 (133)

*The depth of adapter brackets vary in size which will determine the distance from the back of the plasma to the back of the box.



SIDE VIEW