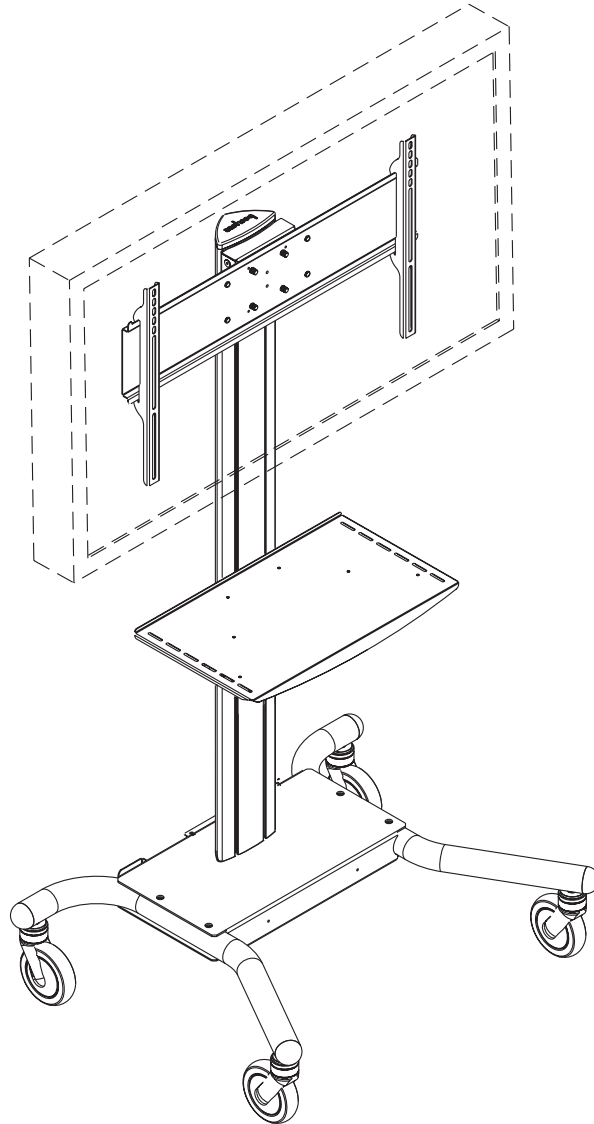


Installation and Assembly: 32" - 60" Flat Panel TV Cart

Models: SR1M, SR560M



This product is UL Listed. It must be installed by a qualified professional installer.



Max UL Load Capacity:
150 lb (68 kg) screen
50 lb (22.7 kg) per shelf

Note: Read entire instruction sheet before you start installation and assembly.

⚠ WARNING

- Do not begin to install your Peerless product until you have read and understood the instructions and warnings contained in this Installation Sheet. If you have any questions regarding any of the instructions or warnings, please call Peerless customer care at 1-800-729-0307.
- This product should only be installed by someone of good mechanical aptitude, and fully understands these instructions.
- Never exceed the Maximum UL Load Capacity.
- Always use an assistant or mechanical lifting equipment to safely lift and position equipment.
- Tighten screws firmly, but do not overtighten. Overtightening can damage the items, greatly reducing their holding power.
- The cart is not affixed or secured to the floor, and may therefore tip over and/or fall if screen and/or stand is shaken or hit. Always monitor children and do not let children play alone around stand as they could get hurt by a falling screen. Not recommended for use in areas with heavy traffic.

Tools Needed for Assembly

- level
- phillips screwdriver

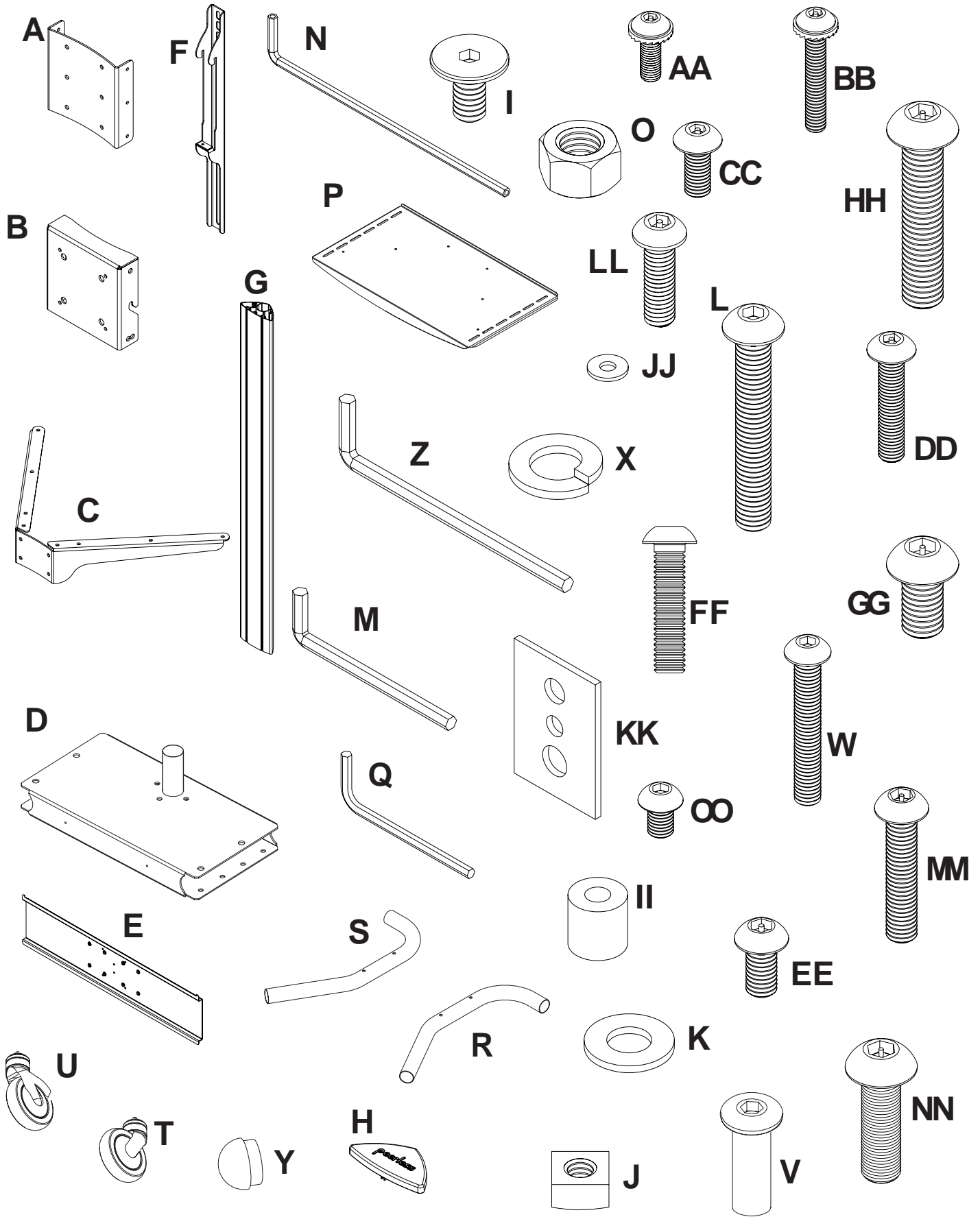
Table of Contents

Parts List	3, 4
Assembling Cart	5
Attaching Screen Using Universal Plate with Adapter Brackets	10
Attaching Screen with VESA 100 Mounting Pattern	13
Attaching Screen Using a Dedicated plate	14

Before you begin, make sure all parts shown are included with your product.

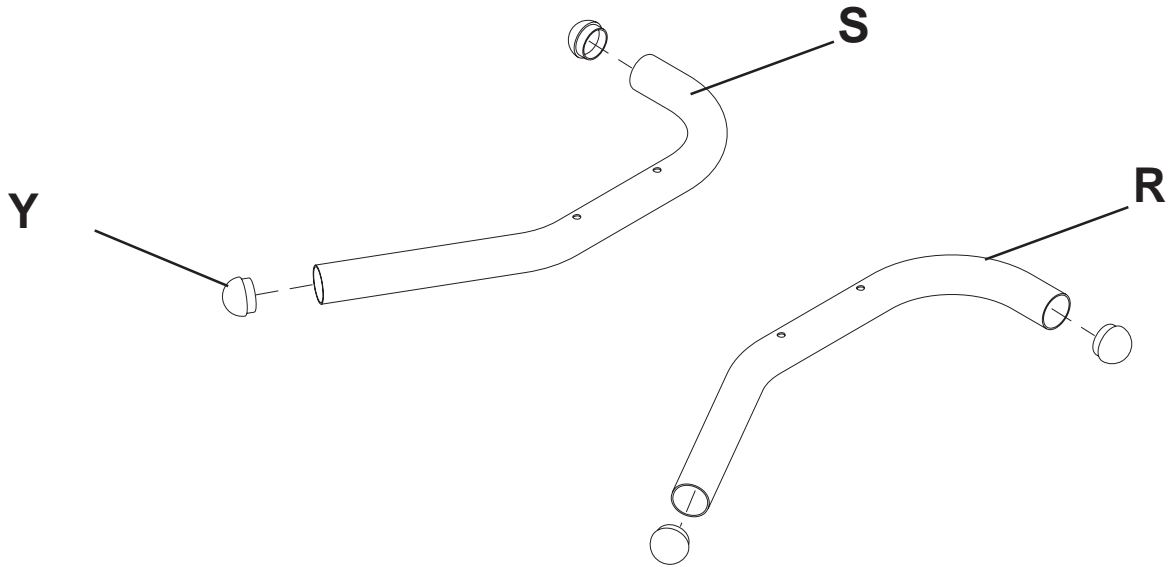
Parts may appear slightly different than illustrated.

Parts List			SR1M	SR560M
	Description	Qty.	Part Number	Part Number
A	screen mount bracket	1	201-1156	201-1156
B	hook plate	1	201-1157	201-1157
C	shelf support	1	201-1158	201-1158
D	base	1	009-1223	009-1223
E	universal plate	1	N/A	201-1110
F	adapter bracket	2	N/A	200-0752
G	upright	1	580-1180	580-1180
H	top cover	1	590-1210	590-1210
I	1/4-20 x 12mm decorative screw	14	520-2325	520-2325
J	1/4-20mm nut	10	530-1022	530-1022
K	5/16" flat washer	10	540-9406	540-9406
L	3/8-16 x 2.5" socket screw	3	520-9550	520-9550
M	7/32" allen wrench	1	560-9715	560-9715
N	4mm allen wrench	1	560-9646	560-9646
O	8/32 nylock nut	6	530-1038	530-1038
P	shelf pan	1	009-1225	009-1225
Q	6mm allen wrench	1	N/A	560-9716
R	left leg	1	009-0220	009-0220
S	right leg	1	009-0218	009-0218
T	wheel caster	2	600-0044	600-0044
U	wheel caster/brake	2	600-0045	600-0045
V	joint connector nut	4	530-1037	530-1037
W	3/8-16 x 1.5" screw bolt	4	520-1329	520-1329
X	M10 x .402 ID lock washer	3	540-9424	540-9424
Y	end cap	4	590-1032	590-1032
Z	3/16 allen wrench	1	560-0071	560-0071
AA	M4 x 12 mm serrated washer head socket pin screw	6	N/A	510-1079
BB	M4 x 25 mm serrated washer head socket pin screw	4	N/A	510-1082
CC	M5 x 12 mm socket pin screw	4	N/A	520-1064
DD	M5 x 25 mm socket pin screw	4	N/A	520-1122
EE	M6 x 12 mm socket pin screw	4	N/A	520-1050
FF	M6 x 25 mm socket pin screw	4	N/A	520-1211
GG	M8 x 15 mm socket button screw	6	N/A	520-1068
HH	M8 x 40 mm socket pin screw	4	N/A	520-1152
II	.219 ID x .5 OD x .5 HT spacer	4	N/A	540-1057
JJ	.344 ID x .75 OD x .5 HT spacer	4	N/A	540-1059
KK	universal plasma tilt multi washer	6	N/A	580-1036
LL	M6 x 20 mm socket pin screw	4	N/A	520-9554
MM	M6 x 30 mm socket pin screw	4	N/A	520-1067
NN	M8 x 25 mm socket pin screw	4	N/A	520-1101
OO	M10 x 15 mm socket pin screw	4	N/A	520-9262



Some parts may appear slightly different than illustrated.

- 1** Insert four end caps (**Y**) into ends of left and right support legs (**R & S**) as shown.



- 2** Guide left leg (**R**) towards base housing (**D**) as seen in fig.2.1. Then line up holes in base housing with holes in left leg. Fasten base housing to left leg using two 3/8-16 x 1.5" screw bolts (**W**) and two joint connectors (**V**) tighten using 3/16" allen wrench (**Z**) and 7/32" allen wrench (**M**) as shown in fig.2.2. Repeat for right side with right leg (**S**).

fig 2.1

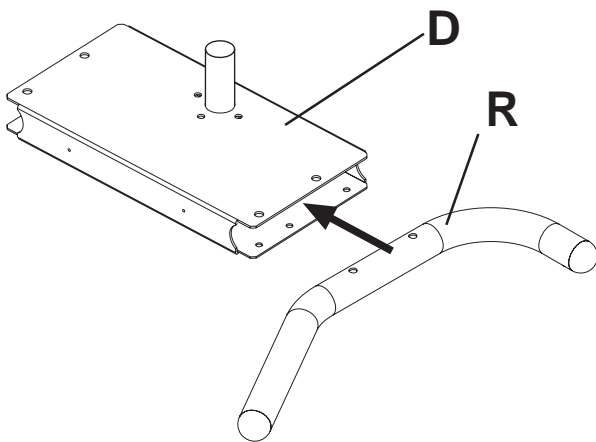
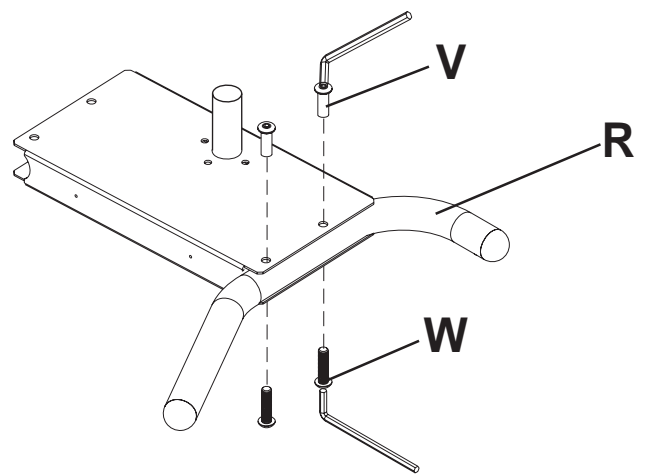
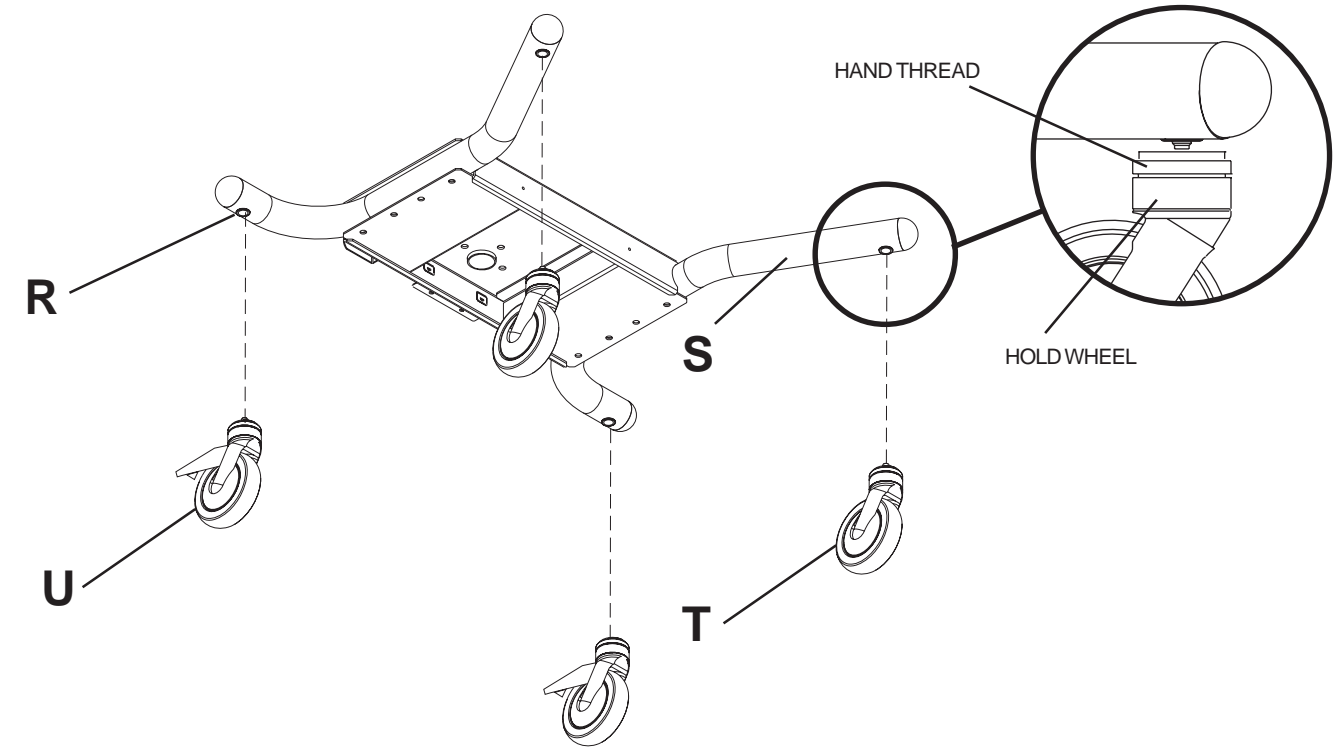


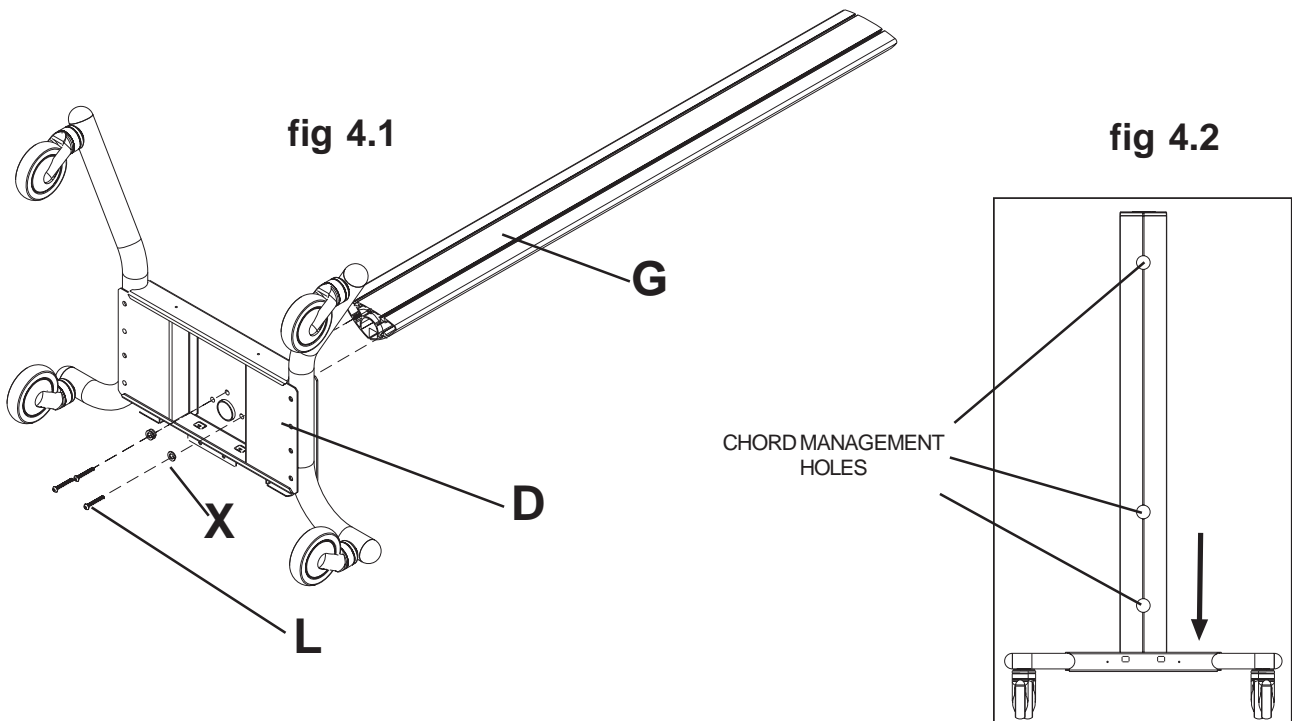
fig 2.2



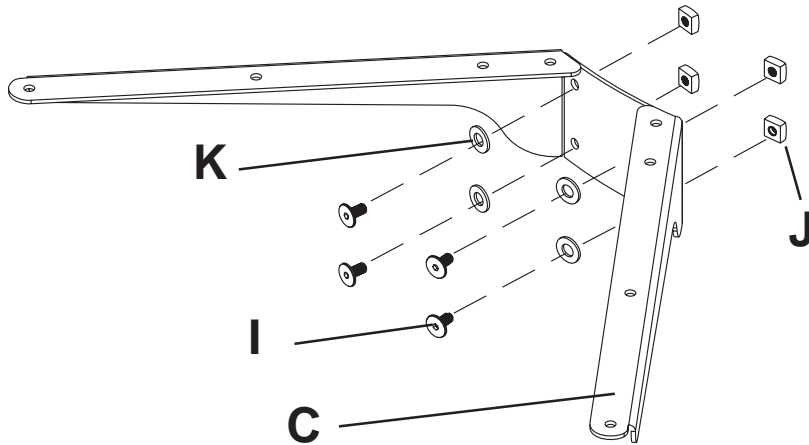
- 3** Insert and screw casters (**U & T**) into holes of support legs (**S & R**). Attach casters with brake (**U**) to the back of left and right support legs. Attach casters without brake (**T**) to front of support legs as shown.



- 4** Attach upright (**G**) to base (**D**), as shown in in fig 4.2 using three 3/8-16 x 2.5" socket screws (**L**) and M10 x .402ID lock washers (**X**). Tighten screws using 7/32" allen wrench (**M**) shown in fig. 4.1.

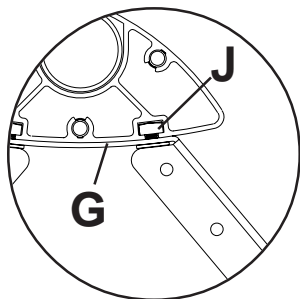


5 Loosely attach four 1/4-20 x 12 mm screws (I), washers (K), and 1/4-20 nuts (J) to shelf support (C).



6 Slide shelf support (C) onto upright (G) so that 1/4-20 nuts (J) slide into slots of upright (G) as shown in figure 6 and detail 1. Slide shelf support to desired position, level, then tighten 1/4-20 x 12 mm screws (I) using 4 mm allen wrench (N).

NOTE: MAXIMUM OF TWO SHELVES
Max height of top shelf is 34" from base.
Max height of second shelf is 28" from base.



DETAIL 1

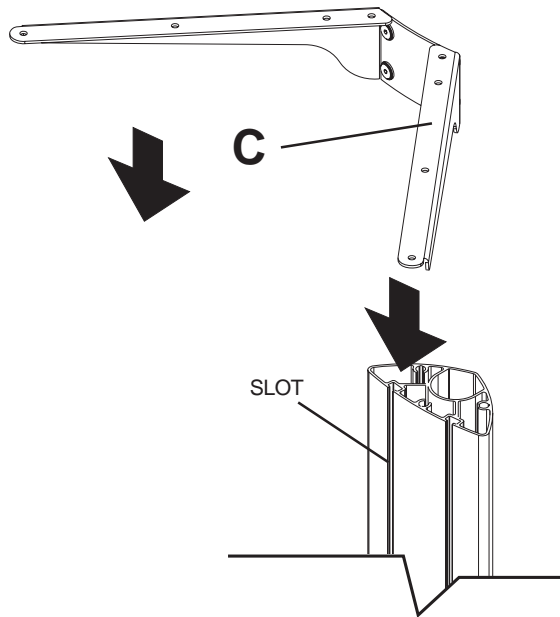
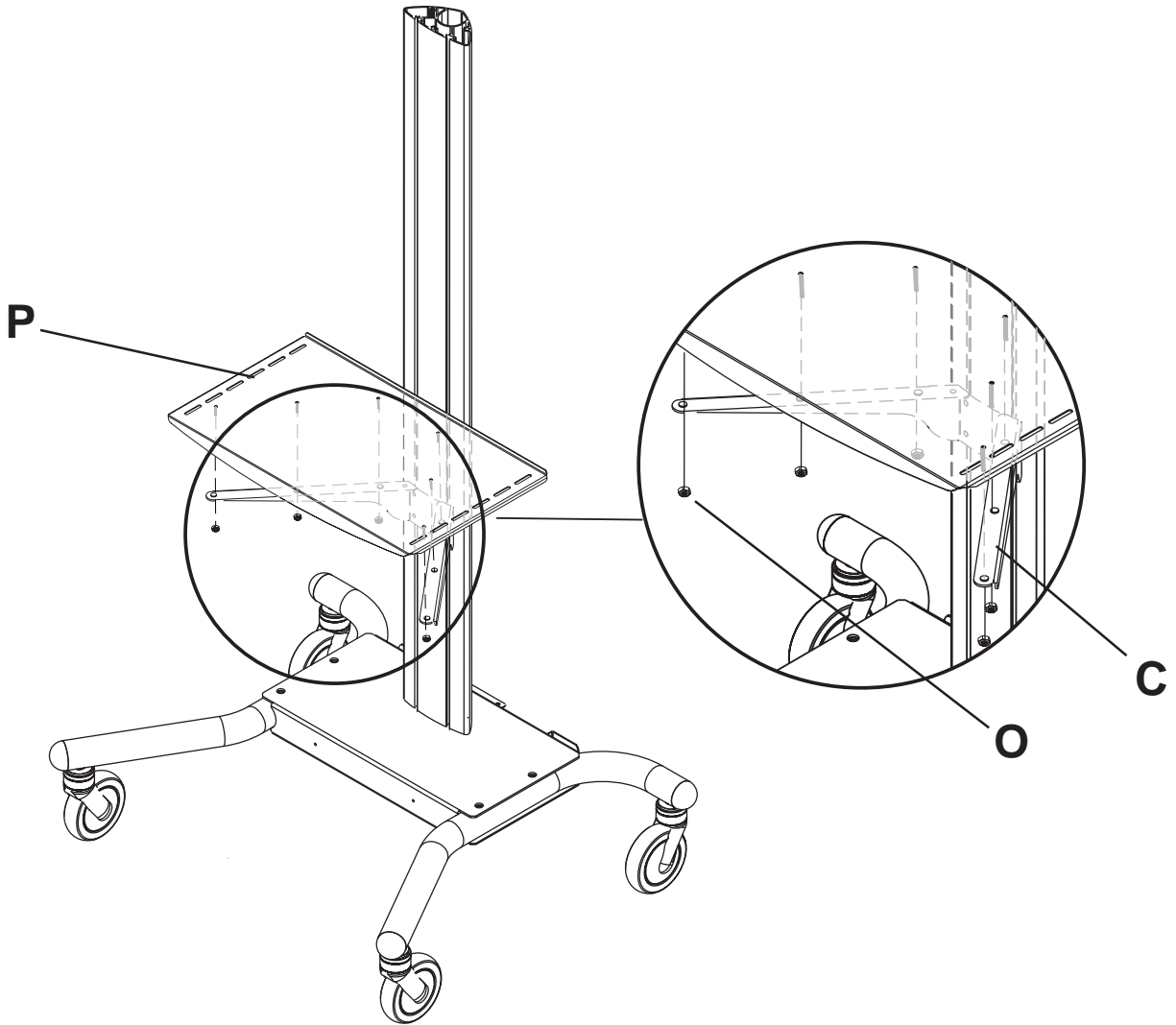


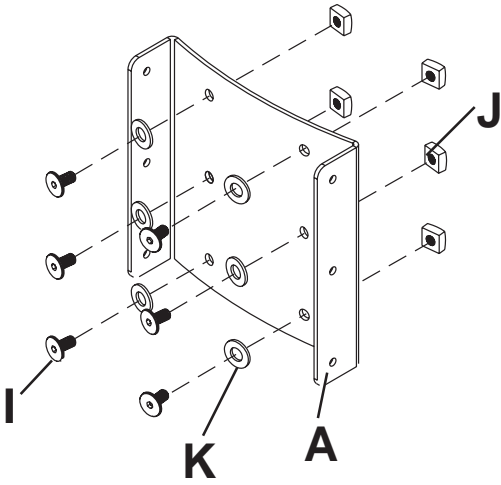
fig 6

Attaching Metal Shelf

- 7 Attach shelf pan (P) to shelf support (C) using six 8/32 nylock nuts (O) as shown below. Use an adjustable wrench to tighten six 8/32 nylock nuts (O).



- 8 Loosely attach six 1/4-20 x 12 mm screws (I), washers (K), and 1/4-20 nuts (J) to screen mount bracket (A).



- 9 Slide screen mount bracket (A) onto upright (G) so that 1/4-20 nuts (J) slide into slots of upright (G) as shown in figure 9 and detail 2. Slide screen mount bracket to desired position, level, then tighten 1/4-20 x 12 mm screws (I) using 4 mm allen wrench (N).

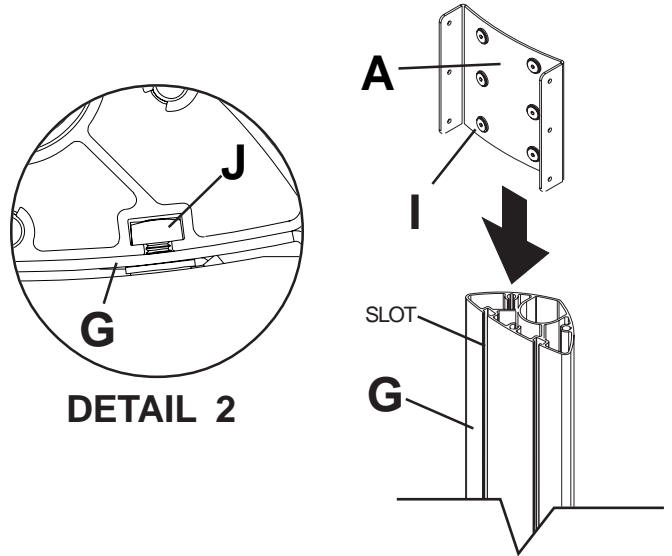
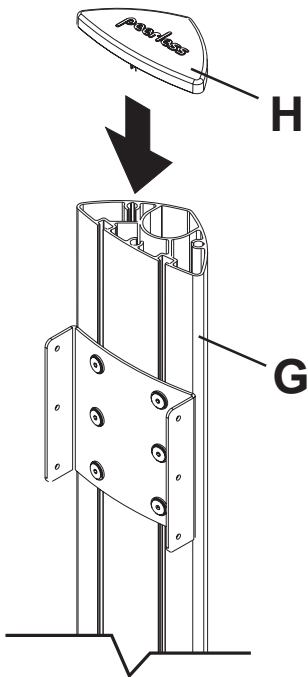


fig 9

- 10 Snap top cover (H) onto upright (G).



- 11 Insert two 1/4-20 x 12 mm screws (I) into screen mount bracket (A), leaving 3/16" of exposed thread as shown in figure 11 and detail 3.

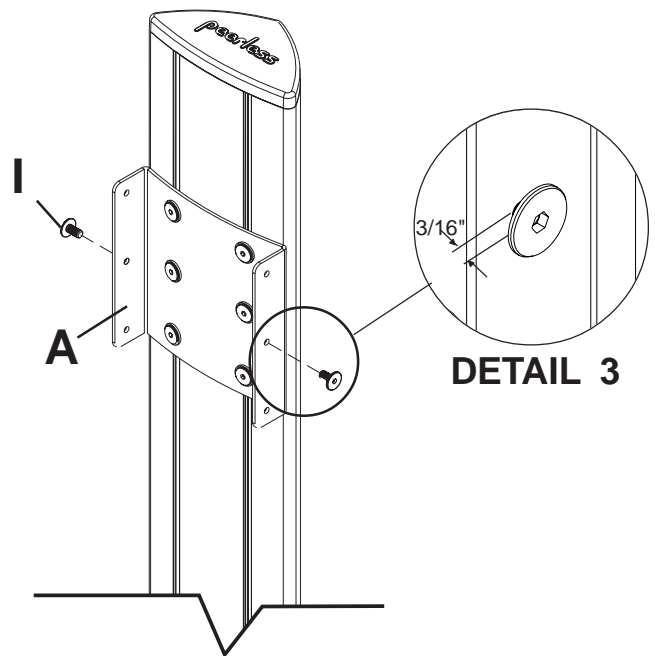
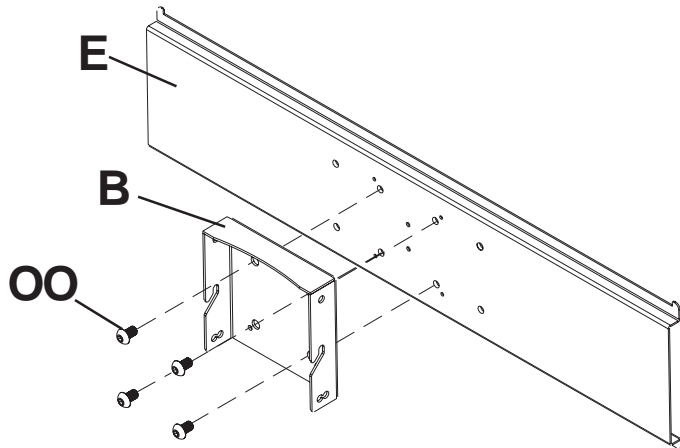


fig 11

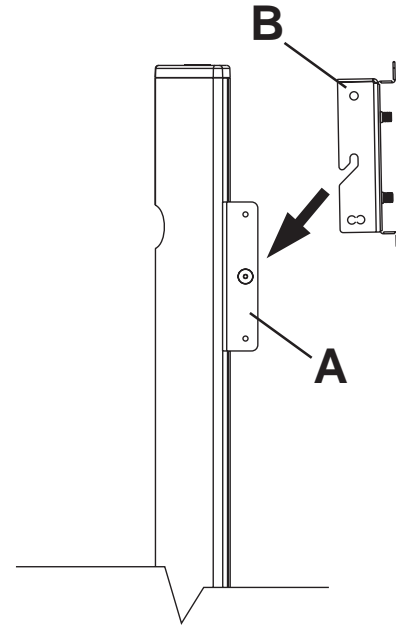
Attaching Screen using Universal Plate with Adapter Brackets

For attaching screens with VESA 100 hole pattern, skip to page 13. For attaching Dedicated plate skip to page 14.

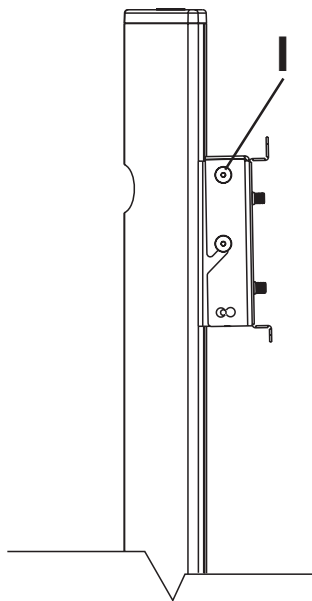
- 12** Attach universal plate (E) to hook plate (B) using four M10 x 15 mm socket screws (OO). Tighten screws using 6 mm allen wrench (Q).



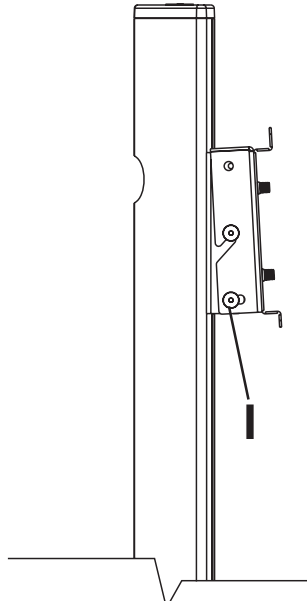
- 13** Attach hook plate (B) to screen mount bracket (A).



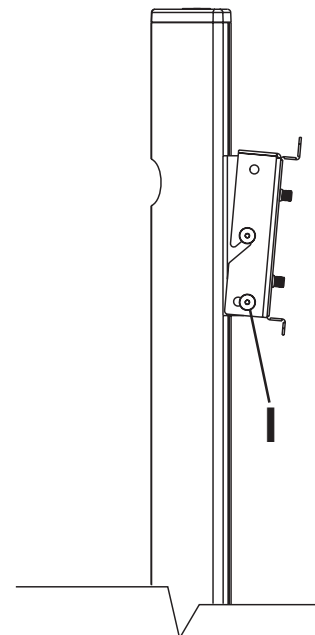
- 14** Insert two 1/4-20 x 12 mm screws (I) into holes indicated below for desired screen orientation. Tighten all screws using 4 mm allen wrench (N).



No Tilt



2° Backward Tilt



5° Forward Tilt

Installing Adapter Brackets

Refer to **Screen Compatibility Chart** to determine the proper fasteners to use.

- 15** To prevent scratching the screen, set a cloth on a flat, level surface that will support the weight of the screen. Place screen face side down. If screen has knobs on the back, remove them to allow the adapter brackets to be attached. Place adapter brackets (**F**) on back of screen, align to holes, and center on back of screen as shown in figure 15.1. Attach the adapter brackets to the back of the screen using the appropriate combination of screws, multi-washers, and spacers as shown in figure 15.3.

Note: Top and bottom holes must always be used.

Verify that all holes are properly aligned, and then tighten screws using a security allen wrench.

⚠ WARNING

- Tighten screws so adapter brackets are firmly attached. Do not tighten with excessive force. Overtightening can cause stress damage to screws, greatly reducing their holding power and possibly causing screw heads to become detached. Tighten to 40 in. • lb (4.5 N.M.) maximum torque.

Notes:

- The number of fasteners used will vary, depending upon the type of screen.
- Multi-washers and spacers may not be used, depending upon the type of screen.
- Use the corresponding hole in the multi-washer that matches your screw size as shown in figure 15.2.

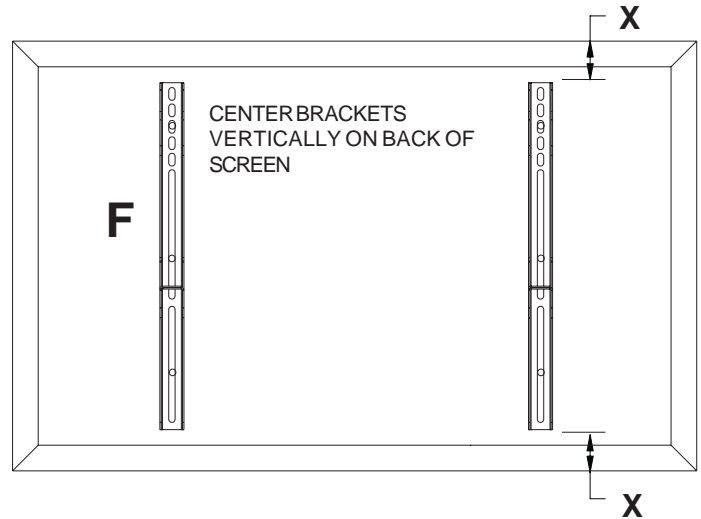


fig 15.1

Note: "X" dimensions should be equal.

⚠ WARNING

- If screws don't get three complete turns in the screen inserts or if screws bottom out and bracket is still not tightly secured, damage may occur to screen or product may fail.

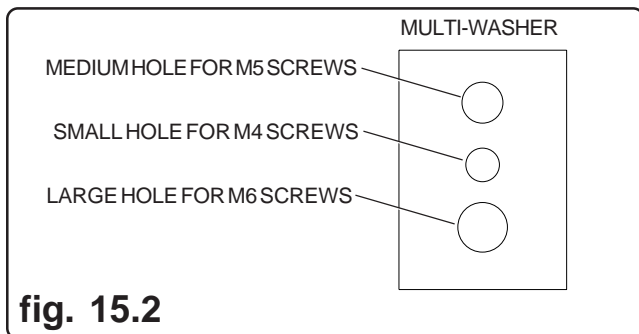


fig. 15.2

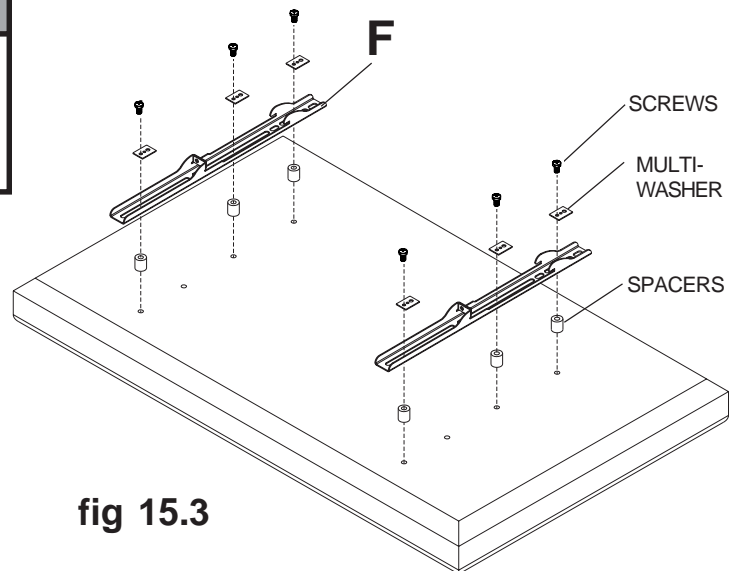


fig 15.3

Mounting and Removing Flat Panel Screen

⚠ WARNING

- Always use an assistant or mechanical lifting equipment to safely lift and position the plasma television.

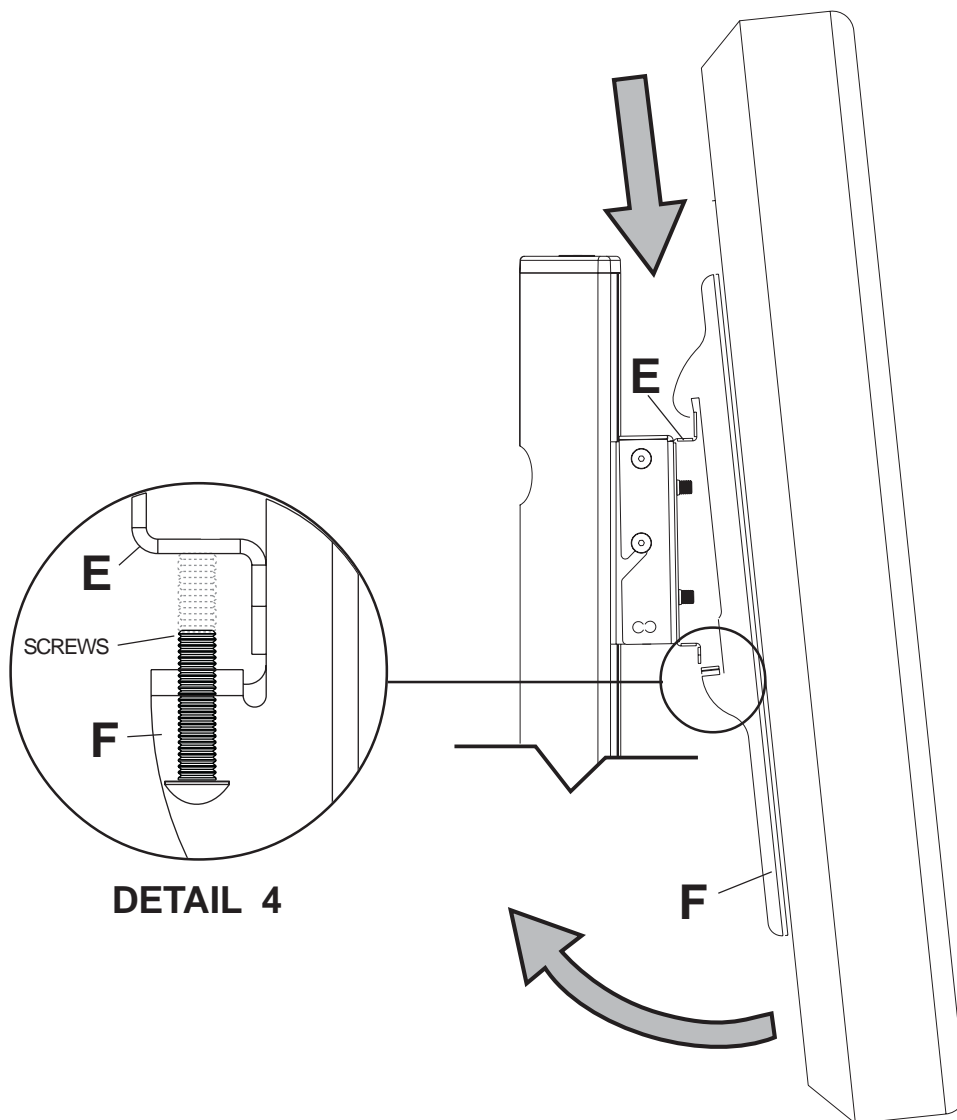
16 Hook adapter brackets (F) onto universal plate (E), then slowly swing screen in as shown. Turn screws (F) clockwise at least six times to prevent screen from being removed as shown in detail 4.

Note: Tighten using 4 mm allen wrench (N).

Screen can be adjusted horizontally if desired.

Note: It is important to lock screen down! To lock the screen down, fully tighten screws to adapter bracket as shown in detail 4.

To remove screen from mount, loosen screws, swing screen away from mount, and lift screen off of mount.

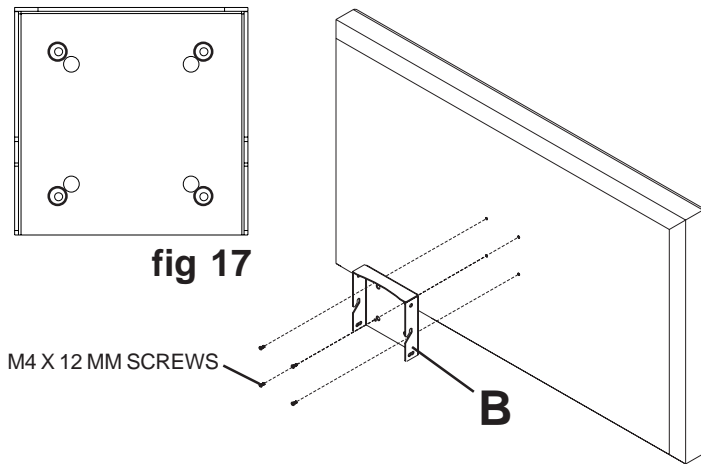


Attaching Screen with VESA 100 Mounting Pattern

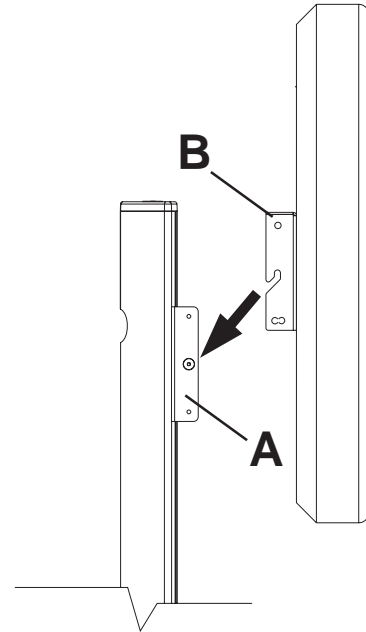
⚠ WARNING

- If screws don't get three complete turns in the screen inserts or if screws bottom out and hook plate is still not tightly secured, damage may occur to screen or product may fail.

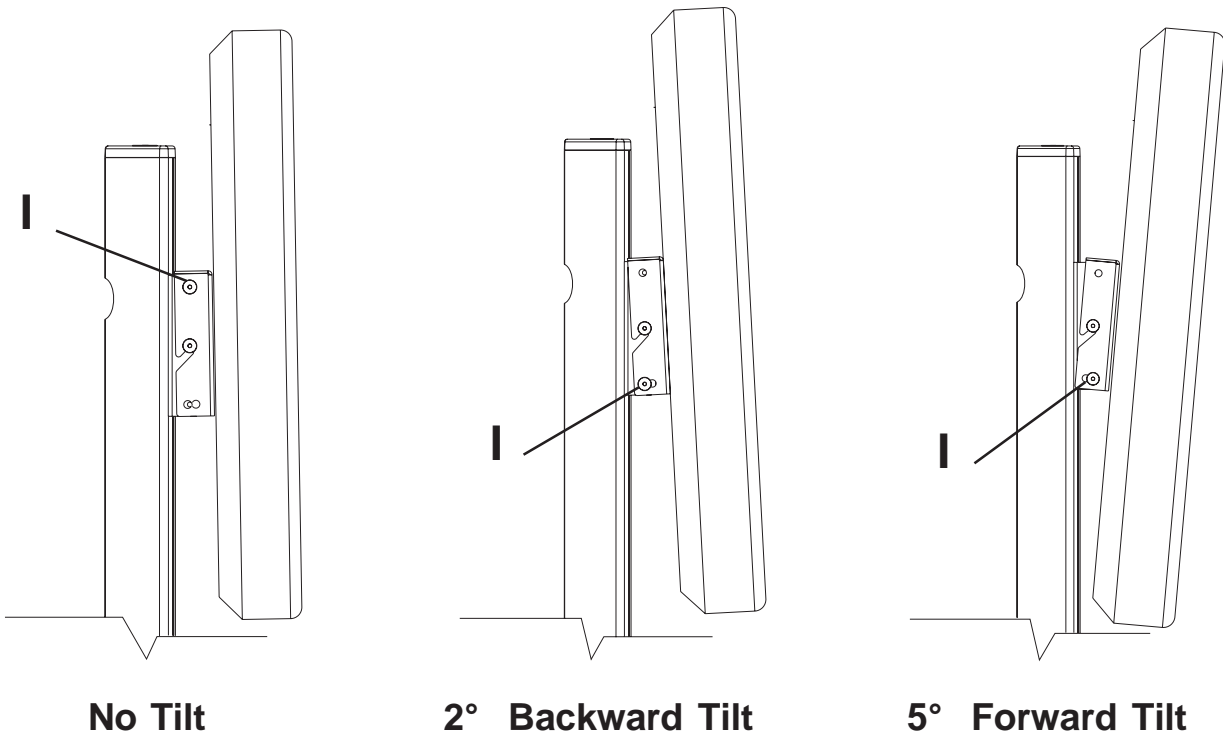
17 Choose hole pattern as shown in figure 17. Attach hook plate (B) to back of screen using four M4 x 12 mm screws. Tighten screws using an allen wrench.



18 Attach hook plate (B) to screen mount bracket (A).

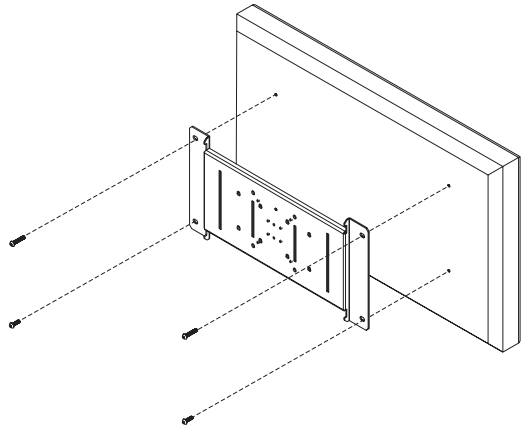


19 Insert two 1/4-20 x 12 mm screws (I) into holes indicated below for desired screen orientation. Tighten all screws using 4 mm allen wrench (R).



Attaching Screen to a Dedicated Plate

20 Attach adapter bracket to back of plasma screen using four socket pin screws, as shown. Tighten screws using security allen wrench.



21 Attach hook plate (B) to the back of adapter plate as shown in fig. 21.1. Then attach hook plate (B) to screen mount bracket (A) as shown in fig. 21.2.

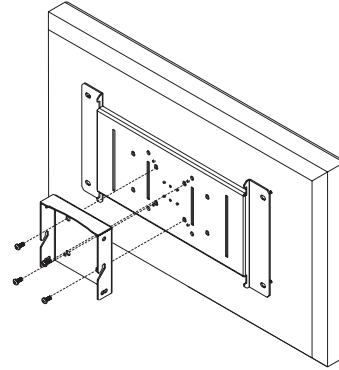


fig. 21.1

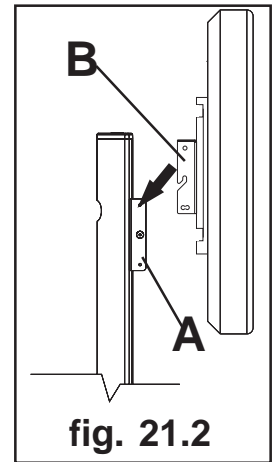


fig. 21.2

Cable Management

22 Run cords through upright (G) using cord management holes.

