

TECHNICAL DATA SHEET - 32" - 60" Flat Panel TV Cart

peerless[®]
Solid Solutions - Solid Support™

MODELS: SR1M, SR1G, SR560G, SR560M



For 32" to 60" LCD and Plasma Flat Panel Screens

Supports 32" to 60" LCD and plasma screens and offers continuous height adjustment. Large 4" swivel casters, including two locking casters, allow for safe and easy maneuvering over thresholds and various flooring. Cart is offered with or without Universal style PLP adapter plate to match your specific application requirement. Ideal for classroom, boardrooms, auditoriums, or event/exhibit applications. Available exclusively to meet different applications.

Features:

- Fits 32" to 60" LCD and plasma flat panel screens
- Vertical screen adjustment for optimal viewing height
- Incremental tilt of -2°, 0° and +5° for desired viewing angle
- Adjustable metal or tempered glass shelf holds A/V components

Dimensions:

Shipping weight:

SR1G = 78.3 lb (35.5 kg)
SR1M = 76.8 lb (34.8 kg)
SR560G = 88.8 lb (40 kg)
SR560M = 87.3 lb (39.5 kg)

Max Load Capacity:

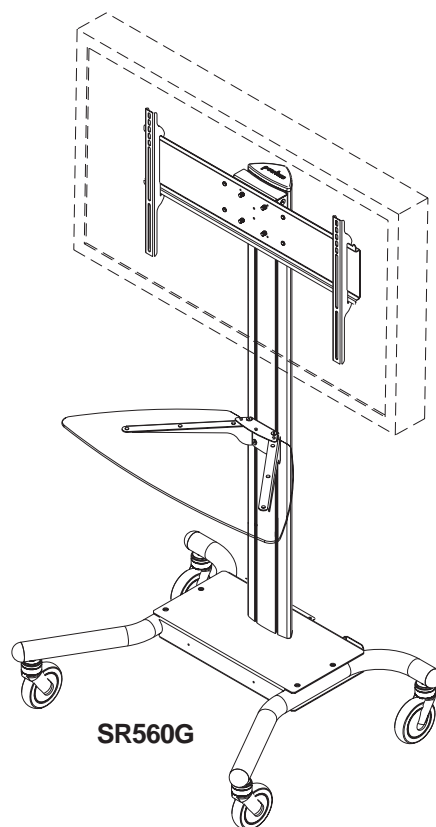
150 lb (68 kg) screen
50 lb (22.7 kg) per shelf

Shipping Carton dimensions:

L= 57.5 in. (1460 mm)
W= 19.25 in. (489 mm)
H= 7.75 in. (197 mm)

Accessories:

- ACC313 Metal Shelf
- ACC314 Laptop Arm
- ACC315 Base Shelf
- ACC316 Safety Belt
- ACC318 Tinted Glass Shelf
- ACC319 Video Conferencing Shelf
- ACC552 Electrical Cord Wrap



ARCHITECTS SPECIFICATIONS

32" - 60" Flat Panel TV Stand shall be a Peerless model **SR1M, SR1G, SR560G, SR560M** and shall be installed where indicated on the plans. It shall be constructed of heavy gauge cold rolled steel and finished with scratch resistant Black or Silver Fused Epoxy. Assembly and installation shall be done according to instructions provided by the manufacturer.

Peerless Industries, Inc.

3215 W. North Ave. Melrose Park, IL 60160
708-865-8870 800-865-2112 Fax 708-865-2941

www.peerlessmounts.com

ISSUED: 02-06-07 SHEET NO: 009-9529-2 02-12-07

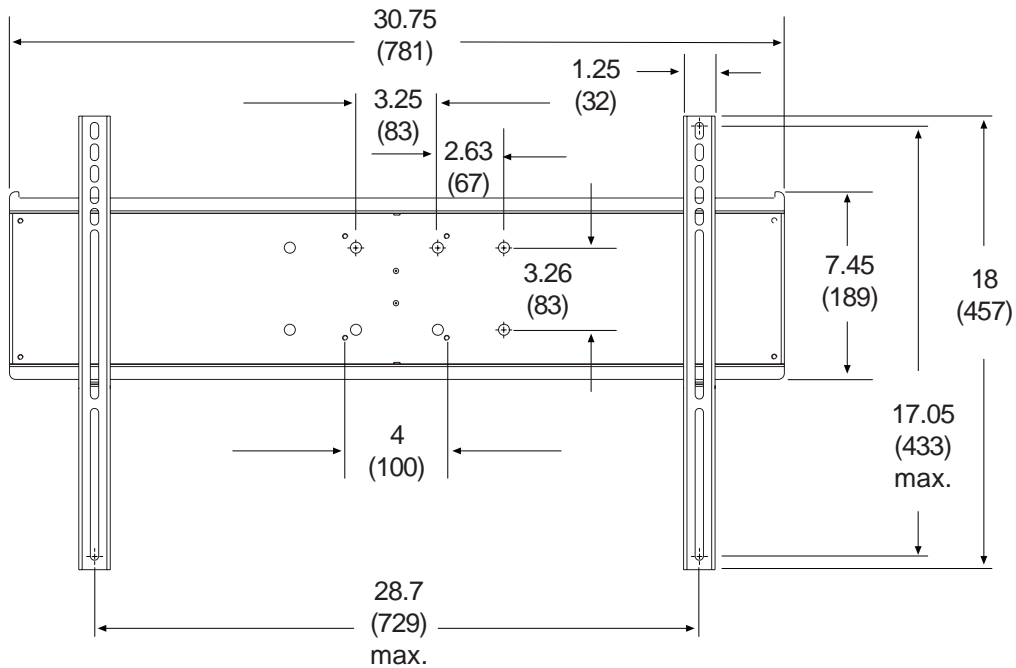
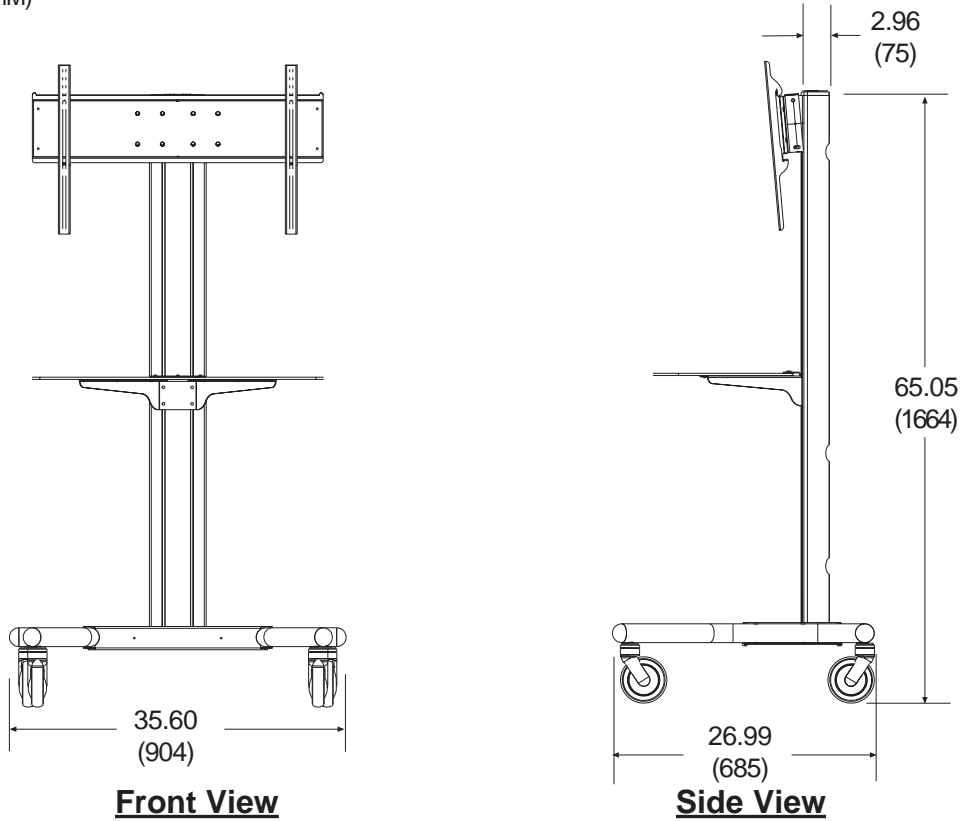
©2007 Peerless Industries, Inc. All rights reserved.
Peerless is a registered trademark of Peerless Industries, Inc.

All other brand and product names are trademarks or registered trademarks of their respective owners.

TECHNICAL DATA SHEET

MODELS: SR1M, SR1G, SR560G, SR560M

ALL DIMENSION = INCH
(MM)



Adapter Bracket Detail