

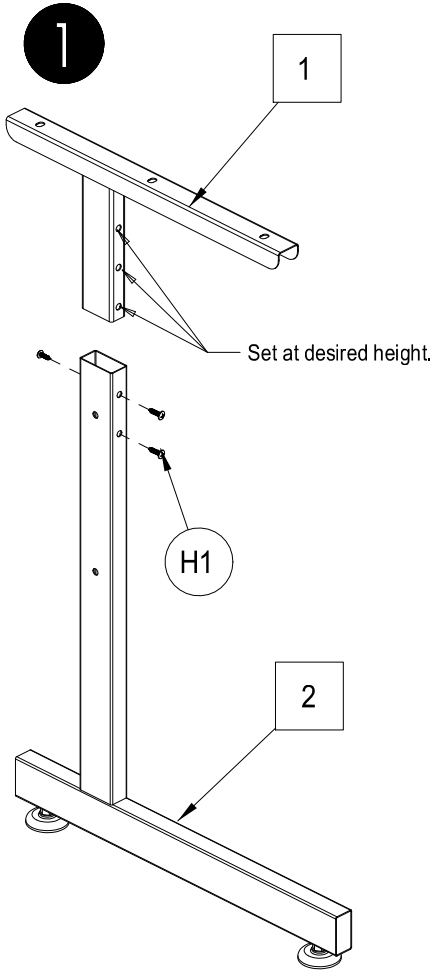
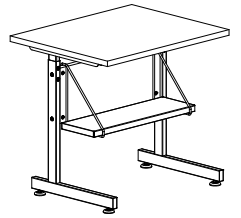


www.globalindustrial.com

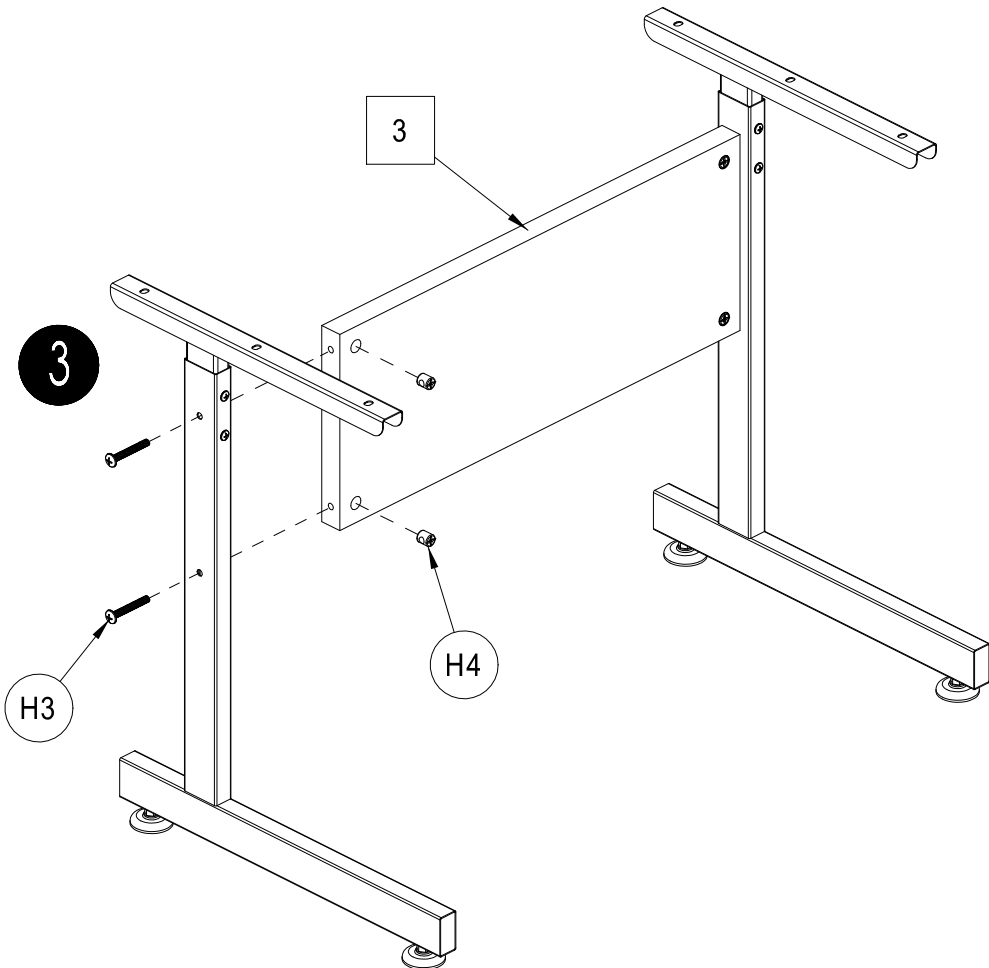
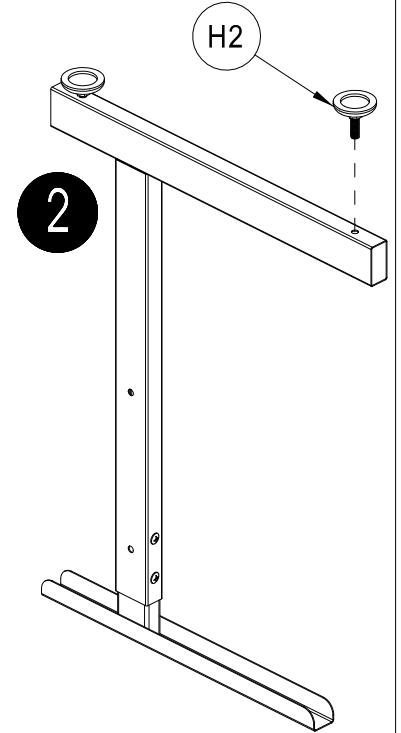
1-800-645-2986

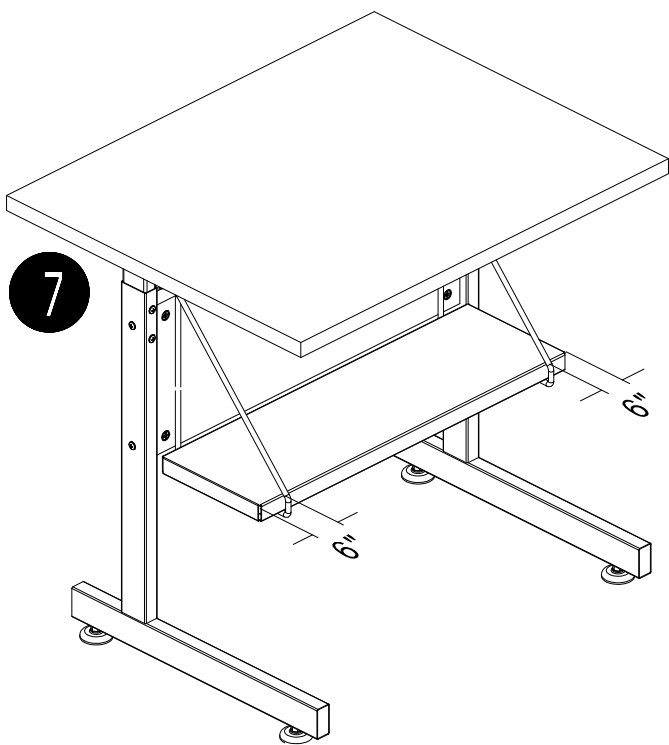
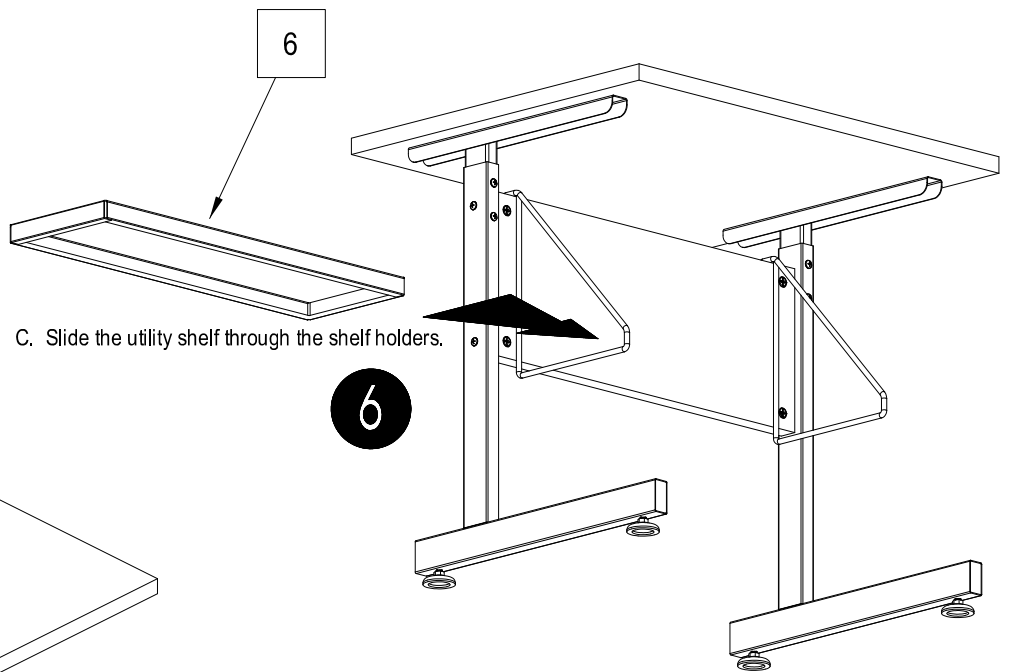
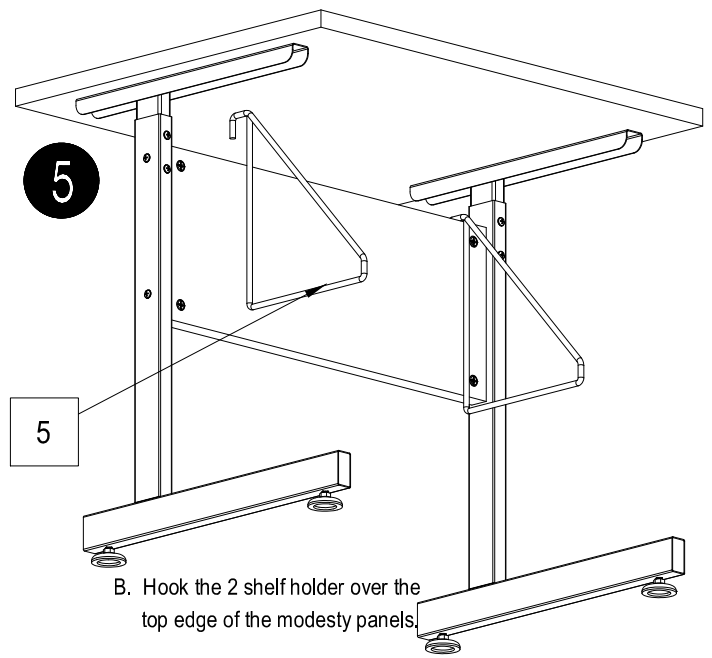
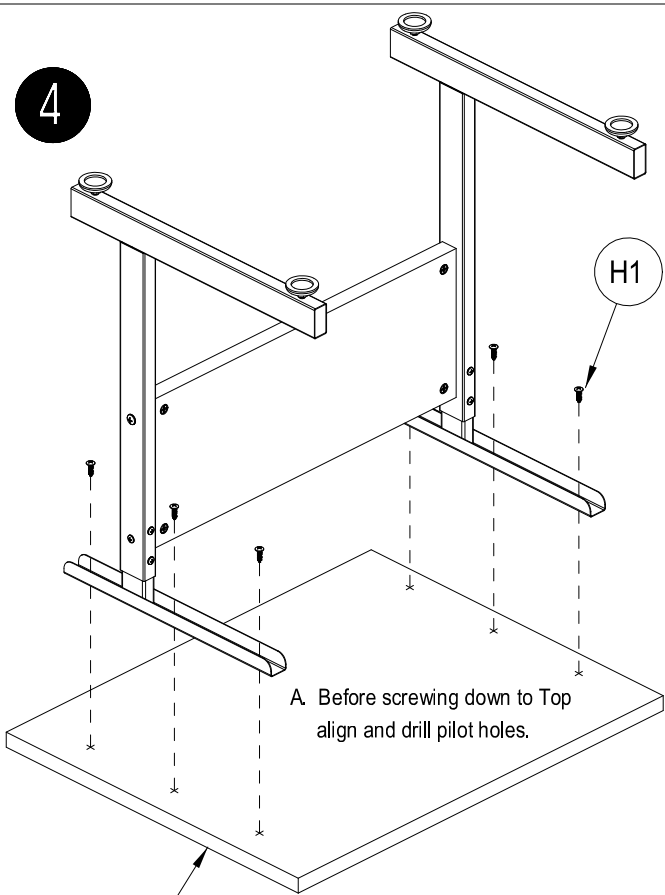
ADJUSTABLE HEIGHT WORKCENTER

ASSEMBLY INSTRUCTION



CONTENTS		
REF.	QTY.	DESCRIPTION
1	2	SUPPORT BRACKET
2	2	LEG
3	1	MODESTY PANEL
4	1	TOP
5	1	SHELF HOLDER
6	1	UTILITY SHELF
H1	12	#8 x 1/2 Screw
H2	4	Adjustable Glide
H3	4	1/4 - 20 Socket Head Screw
H4	4	Barrel Nut





D. Once the utility shelf is in place,
Position the shelf holder approximately 6"
in from each edge.

E. Confirm stability of shelf before loading.

F. Do not overload.